

REVISION RECORD

REV	ECN	DESCRIPTION	DRFT	DATE
-----	-----	-------------	------	------

NOTES1:

UL Standard

1. Rated voltage/current : 300V / 8A
2. Withstanding voltage : AC1600V/1Min.
3. Torque value : M2 , 1.77Lb.in
4. Wire range : 28~16AWG

IEC Standard

1. Pollution degree	2
Overtoltage category	II
Rate impulse voltage(KV)	2.5KV
Rate voltage(V)	250V
Rate current(A)	7A

2. Torque value : M2 , 0.2N·m
3. Wire range : 0.5~1.5mm<sup>2</sup>

NOTES2:

1. Dimension shall be interpreted per ASME Y14.5-2009
2. Pitch : 3.5/3.81mm, Poles : N=02~24P
3. Stripping length : 6~7mm
4. Operating temperature: -40°C~+105°C
5. Undimensioned tolerances:

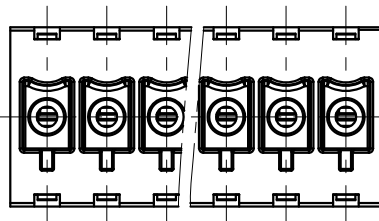
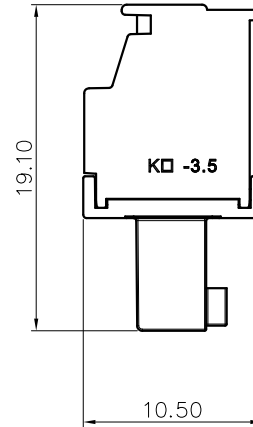
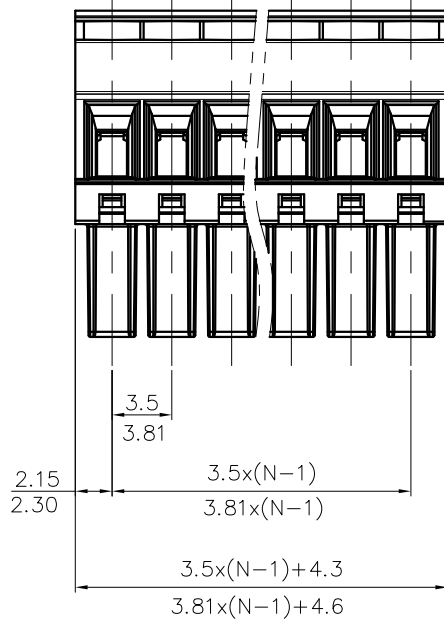
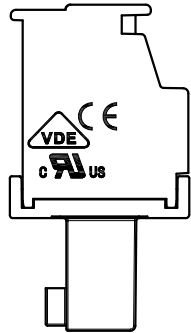
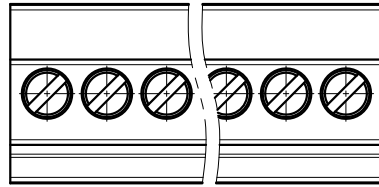
Pitch range in mm	Nominal dimension range in mm						0.1/10	
	Over 6 TO 10	Over 10 TO 24	Over 30 TO 60	Over 60 TO 100	Over 100 TO 150	Over 150		
±0.15	±0.20	±0.30	±0.30	±0.50	±0.70	±1.00	±1.30	±2*

6. RoHS Compliance

KB - 3.5/3.81 - XXP - 1Y - 100A (H)

(Series No.) (Pitch) (Poles) (Color): 1.(Grey) 2.(Blue) 3.(Black) 4.(Green) 5.(Orange) 6.(Red) 7.(Transparent) 8.(Yellow) 9.(White)

(Single Pitch) (RoHS) 100A-(Standard)



DETACHED LISTS	PART NO.:			
	APPD:	NAME: KB-3.5/3.81-XXP-1Y-100A(H)		
	CHKD:			
	DRFT:	TITLE: CUSTOMER DRAWING	REV	DO
	DRAWING NO.:		SHEET	1/1
THIRD ANGLE PROJECTION		DO NOT SCALE DRAWING	SCALE: 1:1	