

REVISION RECORD				
REV	ECN	DESCRIPTION	DRFT	DATE

NOTES1:

UL Standard

1. Rated voltage/current : 300V / 8A
2. Withstanding voltage : AC1600V/1Min.
3. Torque value : M2 , 1.77Lb.in
4. Wire range : 28~16AWG

IEC Standard

1. Pollution degree	2
Overvoltage category	II
Rate impulse voltage(KV)	2.5KV
Rate voltage(V)	250V
Rate current(A)	7A

2. Torque value : M2 , 0.2N·m
3. Wire range : 0.5~1.5mm<sup>2</sup>

NOTES2:

1. Dimension shall be interpreted per ASME Y14.5-2009
2. Pitch : 3.5/3.81mm, Poles : N=02~24P
3. Stripping length : 6~7mm
4. Operating temperature: -40°C~+105°C
5. Undimensioned tolerances:

Pitch range in mm		Nominal dimension range in mm						0.1/10
To	Over	Over	Over	Over	Over	Over	0.1/10	
6	6 TO 10	10 TO 24	30 TO 60	60 TO 100	100 TO 150	150		
±0.15	±0.20	±0.30	±0.30	±0.50	±0.70	±1.00	±1.30	
							±2'	

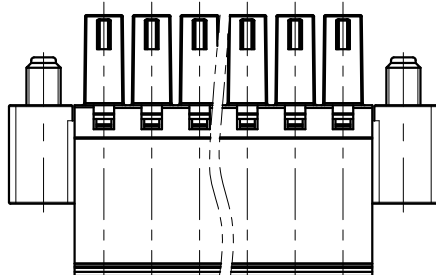
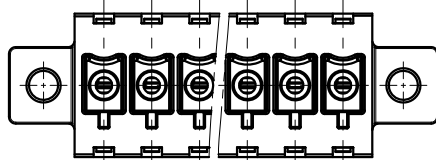
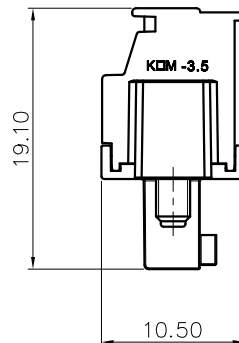
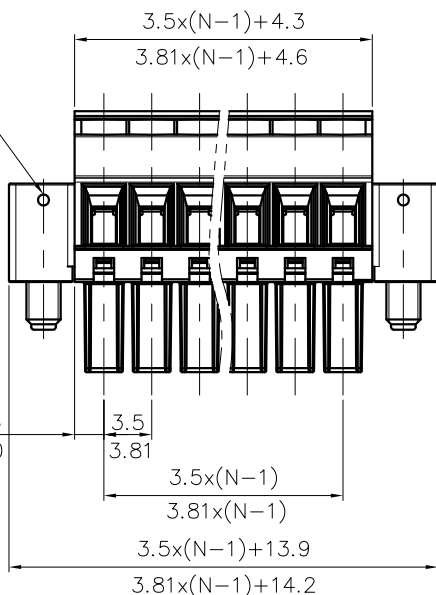
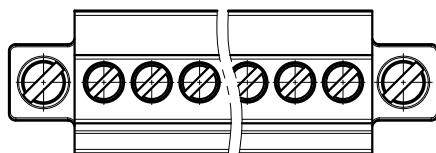
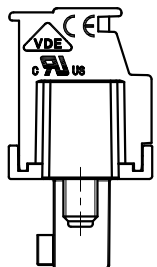
6. RoHS Compliance

KBM - 3.5/3.81 - XXP - 1Y - 100A (H)

(Series No.) (Pitch) (Poles) (Color): 1.(Grey)  
2.(Blue)  
3.(Black)  
4.(Green)  
5.(Orange)  
6.(Red)  
7.(Transparent)  
8.(Yellow)  
9.(White)

(Single Pitch) 100A-(Standard) (RoHS)

Drill Hole(2x)  
ø0.80 MAX  
Depth 1.20mm



DETACHED LISTS	PART NO.:	AOKBM-3.5 / 3.81		
	APPD:	NAME: KBM-3.5/3.81-XXP-1Y-100A(H)		
	CHKD:			
	DRFT:	TITLE: CUSTOMER DRAWING	REV	DO
		DRAWING NO.:	SHEET	1/1
	THIRD ANGLE PROJECTION	MM (INCH)	DO NOT SCALE DRAWING	SCALE 1:1