

REVISION RECORD

REV	ECN	DESCRIPTION	DRFT	DATE
-----	-----	-------------	------	------

NOTES1:

- UL Standard
 1. Rated Voltage/Current : 300V / 8A
 2. Withstanding Voltage : AC1600V/1Min.
 3. Wire Range : 28~16AWG

IEC Standard

1. Pollution Degree	3
Overvoltage Category	II
Rate Impulse Voltage(KV)	2.5KV
Rate Voltage(V)	250V
Rate Current(A)	12A

2. Wire Range : 0.2~1.5mm²

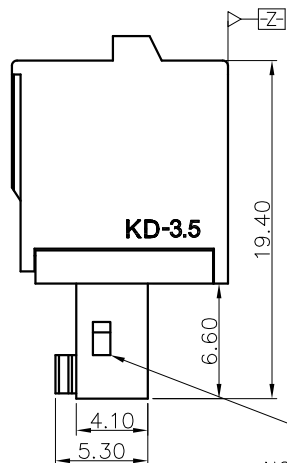
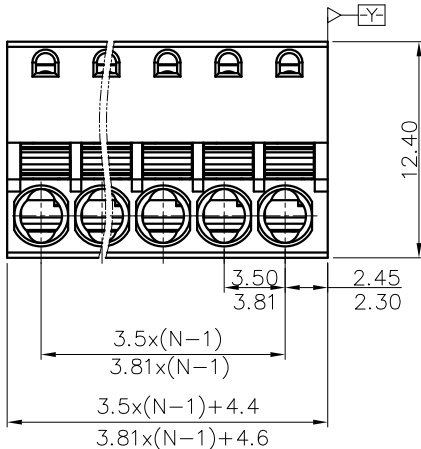
NOTES2:

1. Dimension shall be interpreted per ASME Y14.5-2009
 2. Pitch : 3.50/3.81mm, Poles : N=2-24P
 3. Stripping length : 8.0mm
 4. Operating temperature: -40°C~+105°C
 5. Undimensioned Tolerances:

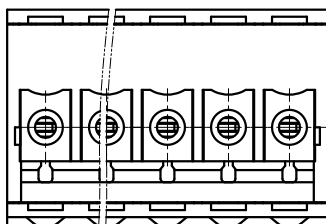
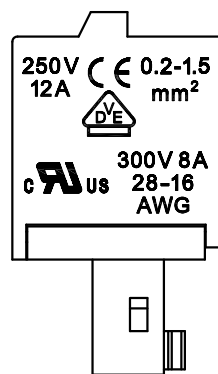
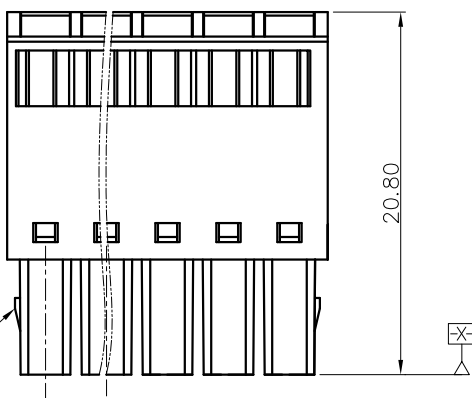
Pitch range in mm		Nominal dimension range in mm					
TO	TO	TO	TO	TO	TO	TO	
6	10	10	30	60	100	150	0.1/10
±0.15	±0.20	±0.30	±0.50	±0.70	±1.00	±1.30	±2'

6. RoHS Compliance

H
G
F
E
D
C
B
A



NOTE: 2-6P with drill hole,
7-24P without drill hole



KD - 3.5/3.81 - XXP - 1Y - 00A (H)
 (Series No.) (Pitch) (Poles) (Single Pitch) (Color): 1.(Grey)
 2.(Blue)
 3.(Black)
 4.(Green)
 5.(Orange)
 6.(Red)
 7.(Transparent)
 8.(Yellow)
 9.(White)

DETACHED LISTS	PART NO.:	/		
	APPD:	/	NAME: KD-3.5/3.81-XXP-1Y-00A(H)	
	CHKD:	/		
	DRFT:	/	TITLE: CUSTOMER DRAWING	REV: /
	DRAWING NO.:		/	SHEET: 1/1
THIRD ANGLE PROJECTION		MM (INCH)	DO NOT SCALE DRAWING	SCALE: 1:1

H
G
F
E
D
C
B
A