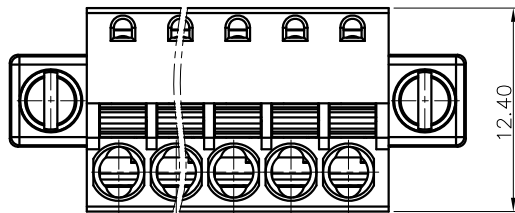


REVISION RECORD				
REV	ECN	DESCRIPTION	DRFT	DATE



NOTES1:

UL Standard

- 1.Rated Voltage/Current : 300V / 8A
- 2.Withstanding Voltage : AC1600V/1Min.
- 3.Wire Range : 28~16AWG

IEC Standard

1. Pollution Degree	3
Overvoltage Category	II
Rate Impulse Voltage(KV)	2.5KV
Rate Voltage(V)	250V
Rate Current(A)	12A

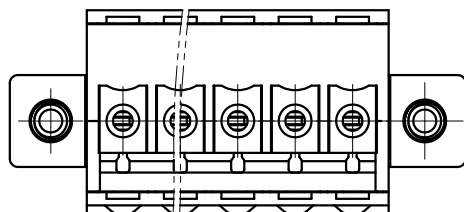
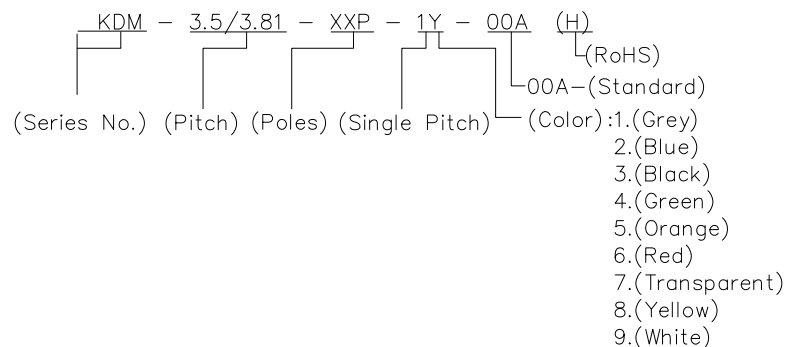
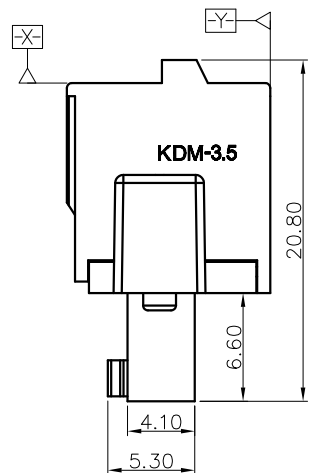
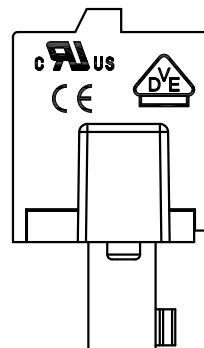
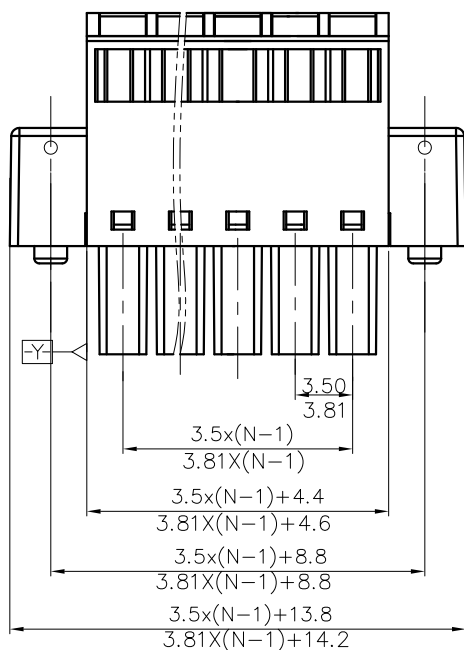
2.Wire Range : 0.2~1.5mm²

NOTES2:

- 1.Dimension shall be interpreted per ASME Y14.5-2009
- 2.Pitch : 3.50/3.81mm, Poles : N=2-20P
- 3.Stripping length : 9mm
- 4.Operating temperature: -40°C~+105°C
- 5.Undimensioned Tolerances:

Pitch range in mm		Nominal dimension range in mm				0.1/10
To	Over	To	Over	To	Over	
6	10	30	60	100	150	±2'
±0.15	±0.20	±0.30	±0.30	±0.50	±0.70	
±0.30	±0.30	±0.50	±0.70	±1.00	±1.30	

6.RoHS Compliance



DETACHED LISTS	PART NO.:	/		
	APPD:	/	NAME:	KDM-3.5/3.81-XXP-1Y-00A(H)
	CHKD:	/	TITLE:	CUSTOMER DRAWING
	DRFT:	/	REV	DO
	THIRD ANGLE PROJECTION		DRAWING NO.:	/
		MM (INCH)	DO NOT SCALE DRAWING	SCALE 1:1