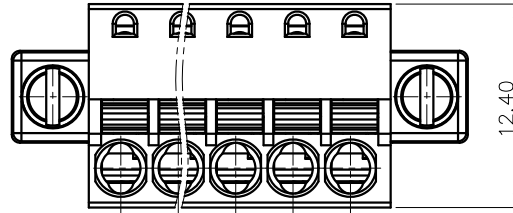


REVISION RECORD

REV	ECN	DESCRIPTION	DRFT	DATE
-----	-----	-------------	------	------



NOTES1:

UL Standard

1. Rated Voltage/Current : 300V / 8A
2. Withstanding Voltage : AC1600V/1Min.
3. Wire Range : 28~16AWG

IEC Standard

1. Pollution Degree	3
Overtoltage Category	II
Rate Impulse Voltage(KV)	2.5KV
Rate Voltage(V)	250V
Rate Current(A)	12A

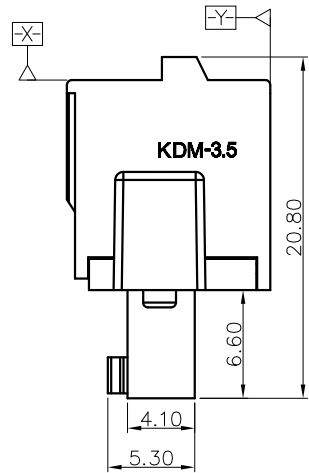
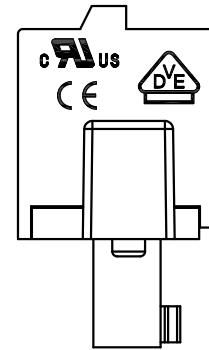
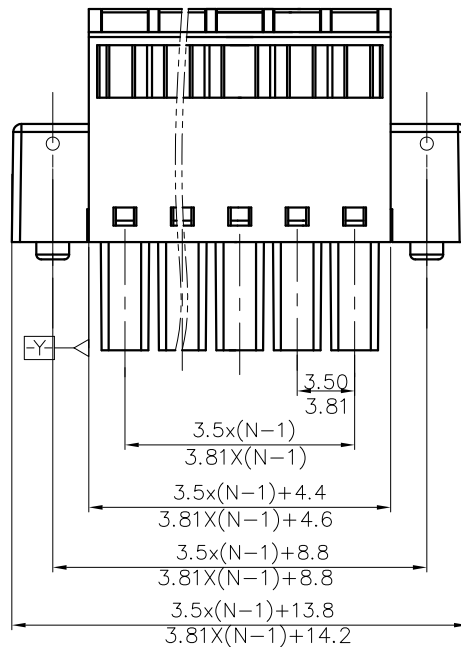
2. Wire Range : 0.2~1.5mm²

NOTES2:

1. Dimension shall be interpreted per ASME Y14.5-2009
2. Pitch : 3.50/3.81mm, Poles : N=2-20P
3. Stripping length : 9mm
4. Operating temperature: -40°C~+105°C
5. Undimensioned Tolerances:

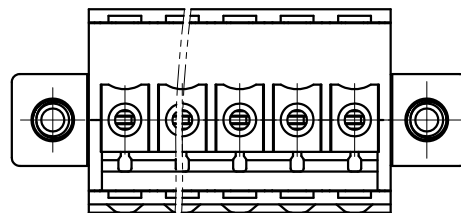
Pitch range in mm		Nominal dimension range in mm				—	—	—	—
To	Over	To	Over	To	Over	0.1/10			
6	10	10	30	30	60	100	150		
±0.15	±0.20	±0.30	±0.30	±0.50	±0.70	±1.00	±1.30	±2'	

6. RoHS Compliance



KDM - 3.5/3.81 - XXP - 1Y - 00A (H)

(Series No.) (Pitch) (Poles) (Single Pitch) (Color): 1.(Grey)
 2.(Blue)
 3.(Black)
 4.(Green)
 5.(Orange)
 6.(Red)
 7.(Transparent)
 8.(Yellow)
 9.(White)



DETACHED LISTS	PART NO.:	AOKDM-3.5 / 3.81		
	APPD:	NAME: KDM-3.5/3.81-XXP-1Y-00A(H)		
	CHKD:	TITLE: CUSTOMER DRAWING		
	DRFT:	REV	DO	
DRAWING NO.:		SHEET		1/1
THIRD ANGLE PROJECTION		SCALE	1:1	

DO NOT SCALE DRAWING