

REVISION RECORD

REV	ECN	DESCRIPTION	DRFT	DATE
-----	-----	-------------	------	------

NOTES1:

UL Standard

1. Rated voltage/current : 300V / 8A
2. Withstanding voltage : AC1600V/1Min.

IEC Standard

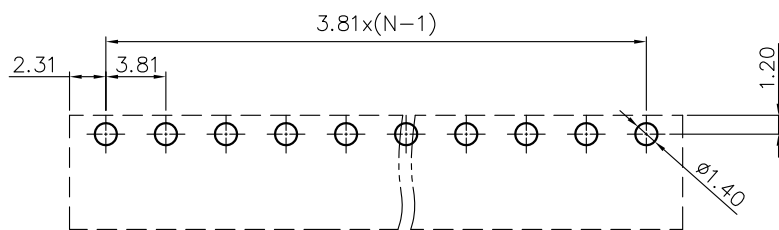
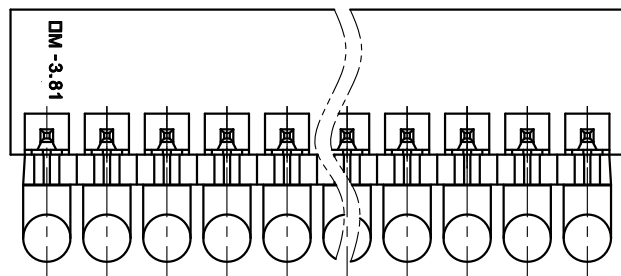
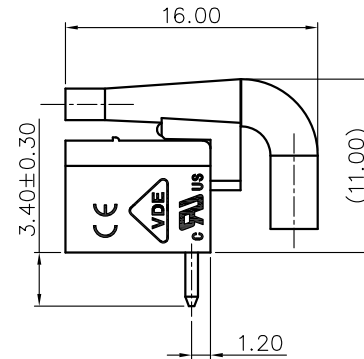
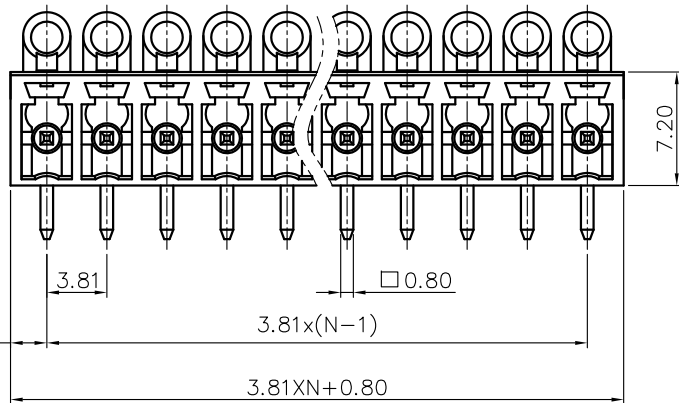
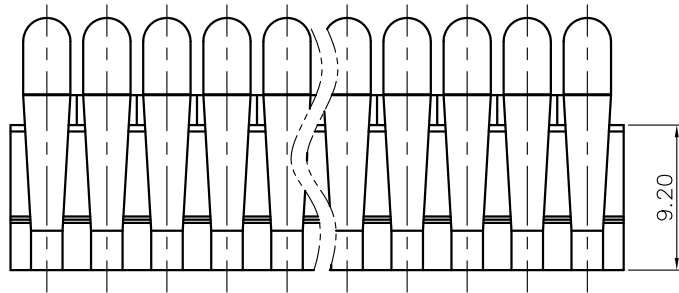
1. Pollution Degree	2
Overvoltage Category	II
Rate Impulse Voltage(KV)	2.5KV
Rate Voltage(V)	250V
Rate Current(A)	7A

NOTES2:

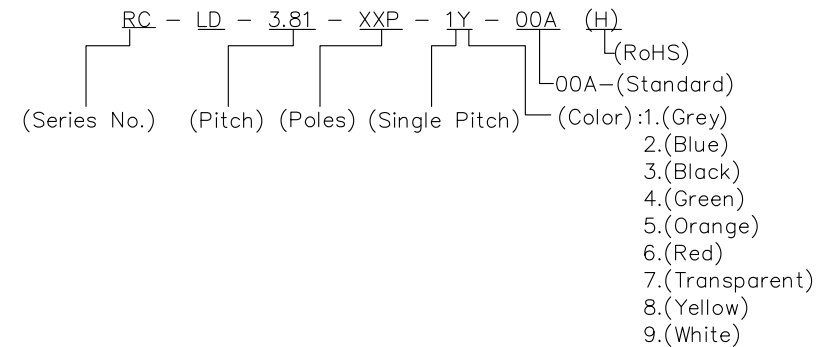
1. Dimension shall be interpreted per ASME Y14.5-2009
2. Pitch : 3.81mm, Poles : N=02~24P
3. Operating temperature: -40°C~+105°C
4. Undimensioned tolerances:

Pitch range in mm	Nominal dimension range in mm							0.1/10	
	TO 6	Over 6 TO 10	Over 10 TO 24	TO 30	Over 30 TO 60	Over 60 TO 100	Over 100 TO 150		
	±0.15	±0.20	±0.30	±0.30	±0.50	±0.70	±1.00	±1.30	±2'

5. RoHS Compliance



PCB LAYOUT



DETACHED LISTS	PART NO.:	/		
	APPD:	/	NAME:	RC-LD-3.81-XXP-1Y-00A(H)
	CHKD:	/	TITLE:	CUSTOMER DRAWING
	DRFT:	/	REV	DO
THIRD ANGLE PROJECTION		DRAWING NO.:	/	SHEET
		MM (INCH)	DO NOT SCALE DRAWING	SCALE
			1/1	1:1