

REVISION RECORD

| REV | ECN | DESCRIPTION | DRFT | DATE |
|-----|-----|-------------|------|------|
|-----|-----|-------------|------|------|

NOTES1:

UL Standard

- 1.Rated voltage/current : 300V / 8A
- 2.Withstanding voltage : AC1600V/1Min.

IEC Standard

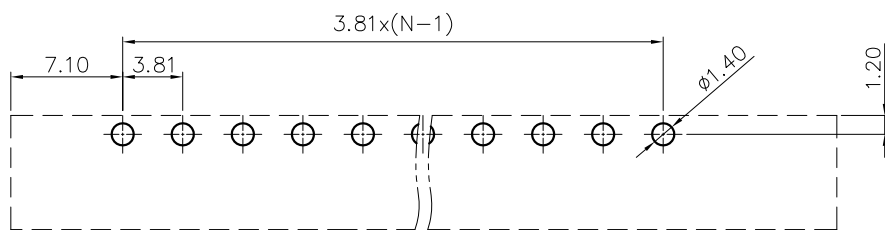
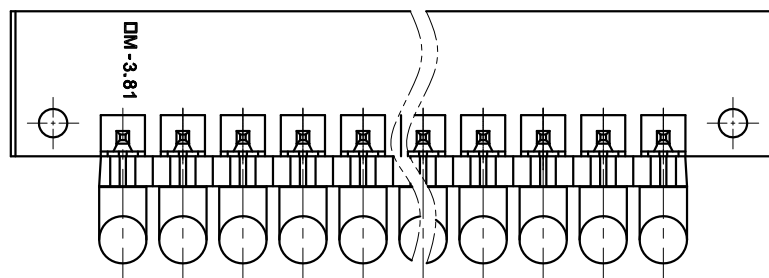
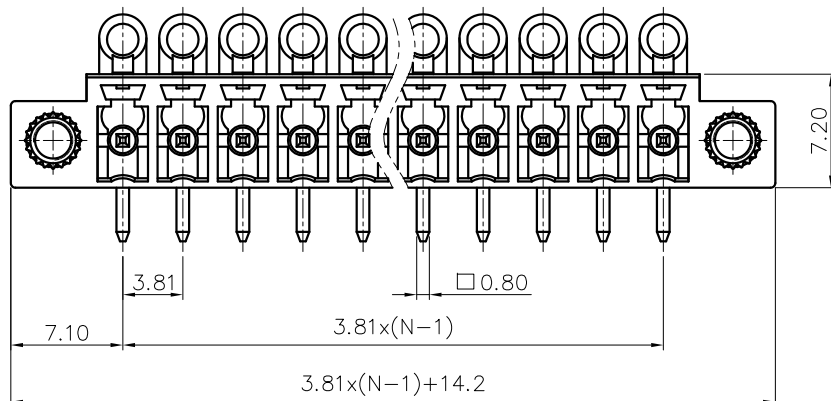
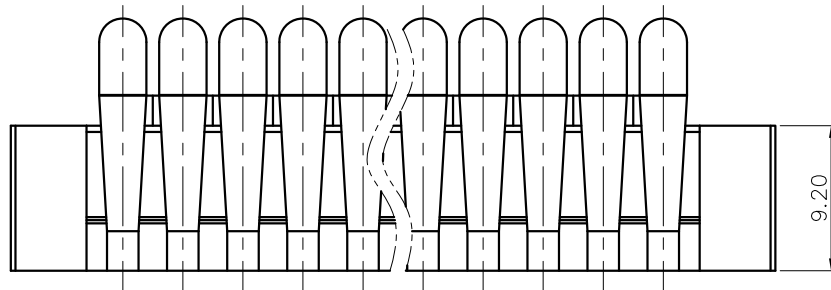
|                          |       |
|--------------------------|-------|
| 1. Pollution Degree      | 2     |
| Overvoltage Category     | II    |
| Rate Impulse Voltage(KV) | 2.5KV |
| Rate Voltage(V)          | 250V  |
| Rate Current(A)          | 7A    |

NOTES2:

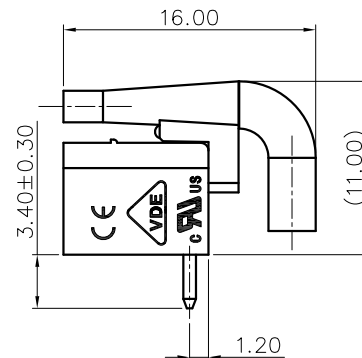
- 1.Dimension shall be interpreted per ASME Y14.5-2009
- 2.Pitch : 3.81mm, Poles : N=02~22P
- 3.Operating temperature: -40°C~+105°C
- 4.Undimensioned tolerances:

| Pitch range in mm |         | Nominal dimension range in mm |       |          |           |            |             |     |
|-------------------|---------|-------------------------------|-------|----------|-----------|------------|-------------|-----|
| TO                | Over    | Over                          | TO    | Over     | Over      | Over       | 0.1/10<br>/ |     |
| 6                 | 6 TO 10 | 10 TO 24                      | 30    | 30 TO 60 | 60 TO 100 | 100 TO 150 |             |     |
| ±0.15             | ±0.20   | ±0.30                         | ±0.30 | ±0.50    | ±0.70     | ±1.00      | ±1.30       | ±2' |

5.RoHS Compliance



PCB LAYOUT



RM - LD - 3.81 - XXP - 1Y - 00A (H)  
 (Series No.) (Pitch) (Poles) (Single Pitch) (Color):1.(Grey)  
 2.(Blue)  
 3.(Black)  
 4.(Green)  
 5.(Orange)  
 6.(Red)  
 7.(Transparent)  
 8.(Yellow)  
 9.(White)  
 (RoHS)  
 00A-(Standard)

|                        |           |                                |     |  |
|------------------------|-----------|--------------------------------|-----|--|
| DETACHED LISTS         | PART NO.: |                                |     |  |
|                        | APPD:     | NAME: RM-LD-3.81-XXP-1Y-00A(H) |     |  |
|                        | CHKD:     | TITLE: CUSTOMER DRAWING        |     |  |
|                        | DRFT:     | REV                            | DO  |  |
| DRAWING NO.:           |           | SHEET                          | 1/1 |  |
| THIRD ANGLE PROJECTION |           | SCALE                          | 1:1 |  |

DO NOT SCALE DRAWING