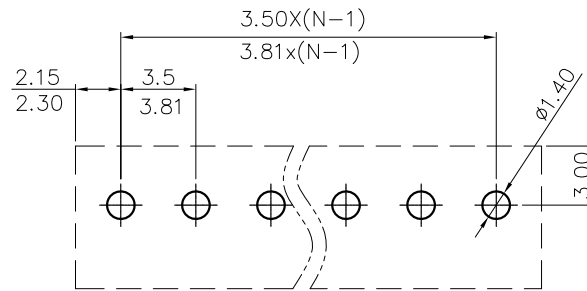
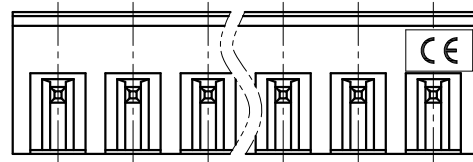
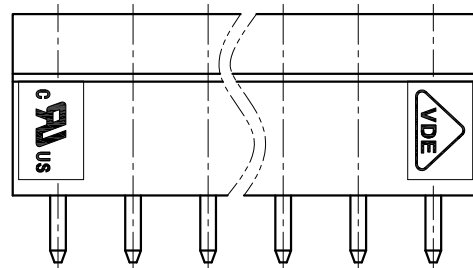
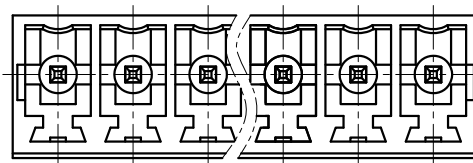
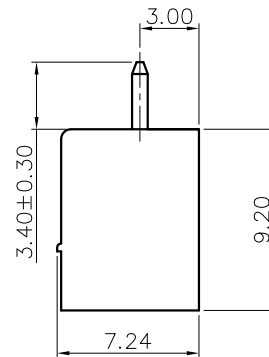
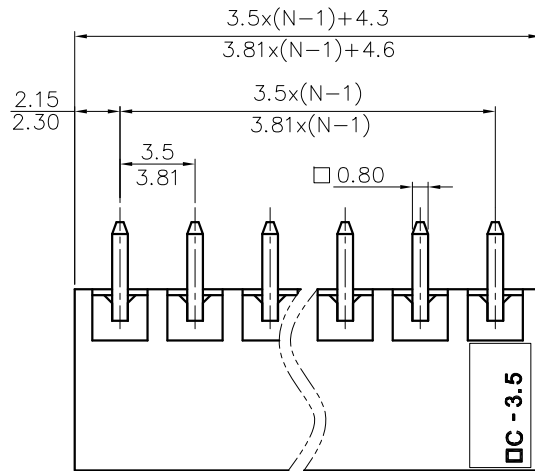


REVISION RECORD

REV	ECN	DESCRIPTION	DRFT	DATE



PCB LAYOUT



NOTES1:

UL Standard

1. Rated voltage/current : 300V / 8A
2. Withstanding voltage : AC1600V/1Min.

IEC Standard

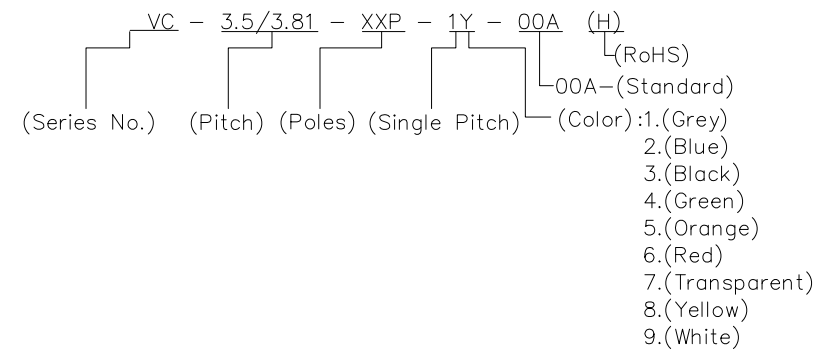
1. Pollution Degree	2
Overvoltage Category	II
Rate Impulse Voltage(KV)	2.5KV
Rate Voltage(V)	250V
Rate Current(A)	7A

NOTES2:

1. Dimension shall be interpreted per ASME Y14.5-2009
2. Pitch : 3.5/3.81mm, Poles : N=02~24P
3. Operating temperature: -40°C~+105°C
4. Undimensioned tolerances:

Pitch range in mm		Nominal dimension range in mm				-	∩	□
TO	Over	Over	TO	Over	Over	TO	TO	TO
6	10	10	30	30	60	100	150	150
±0.15	±0.20	±0.30	±0.30	±0.50	±0.70	±1.00	±1.30	±2"

5. RoHS Compliance



DETACHED LISTS	PART NO.:	/		
	APPD:	/	NAME: VC-3.5/3.81-XXP-1Y-00A(H)	
	CHKD:	/	TITLE: CUSTOMER DRAWING	
	DRFT:	/	REV	DO
THIRD ANGLE PROJECTION		DRAWING NO.:	/	SHEET 1/1
		MM (INCH)	DO NOT SCALE DRAWING	SCALE 1:1