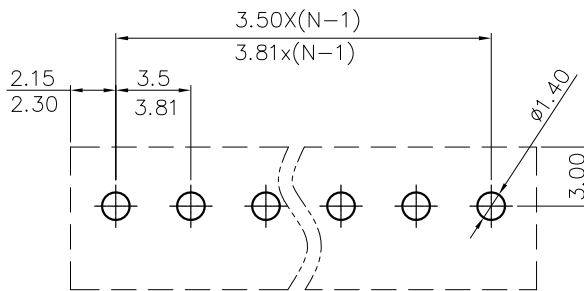
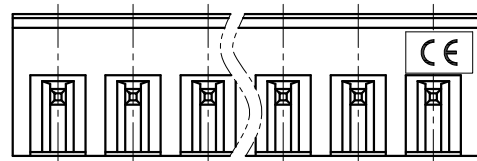


| REVISION RECORD | | | | |
|-----------------|-----|-------------|------|------|
| REV | ECN | DESCRIPTION | DRFT | DATE |



PCB LAYOUT

NOTES1:

UL Standard

- 1.Rated voltage/current : 300V / 8A
- 2.Withstanding voltage : AC1600V/1Min.

IEC Standard

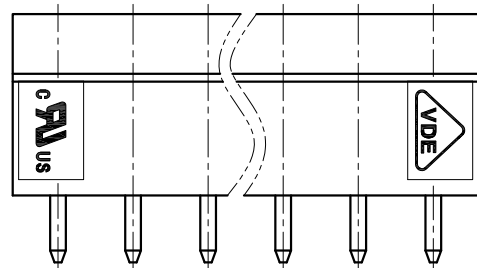
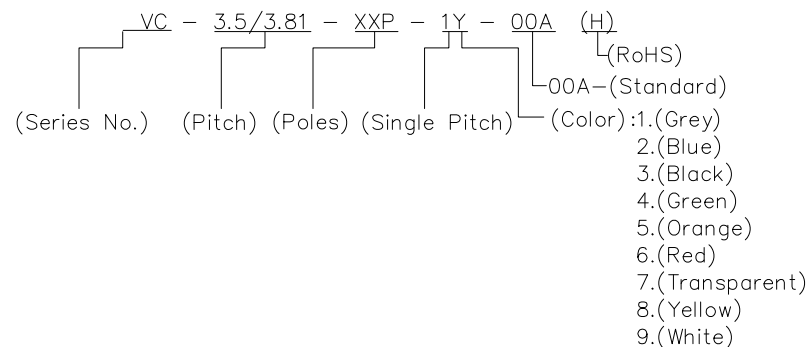
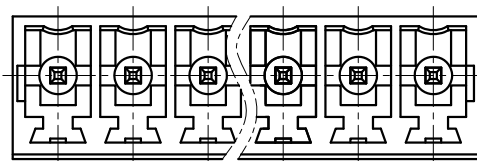
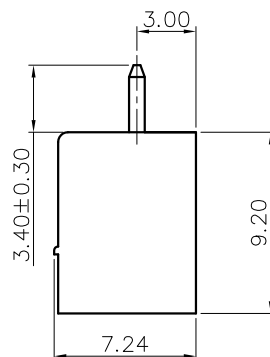
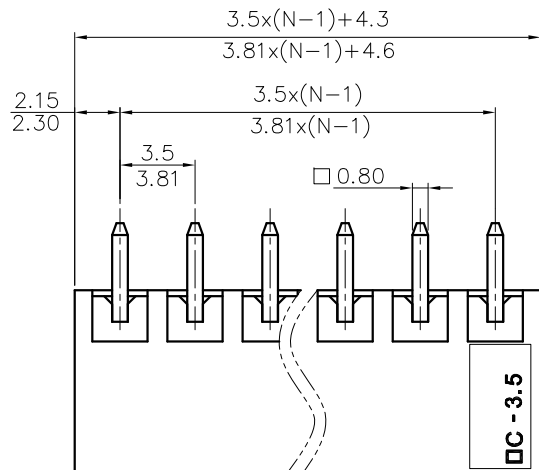
| | |
|--------------------------|-------|
| 1. Pollution Degree | 2 |
| Overvoltage Category | II |
| Rate Impulse Voltage(KV) | 2.5KV |
| Rate Voltage(V) | 250V |
| Rate Current(A) | 7A |

NOTES2:

- 1.Dimension shall be interpreted per ASME Y14.5-2009
- 2.Pitch : 3.5/3.81mm, Poles : N=02~24P
- 3.Operating temperature: -40°C~+105°C
- 4.Undimensioned tolerances:

| Pitch range in mm | | Nominal dimension range in mm | | | | Tolerances | |
|-------------------|---------|-------------------------------|---------|---------|---------|------------|-------|
| TO | Over TO | Over TO | Over TO | Over TO | Over TO | 0.1/10 | |
| 6 | 10 | 24 | 30 | 60 | 100 | 150 | |
| ±0.15 | ±0.20 | ±0.30 | ±0.30 | ±0.50 | ±0.70 | ±1.00 | ±1.30 |
| | | | | | | | ±2" |

5.RoHS Compliance



| | | | | |
|----------------|------------------------|---------------------------------|-------|-----|
| DETACHED LISTS | PART NO.: | AOVC-3.5 / 3.81 | | |
| | APPD: | NAME: VC-3.5/3.81-XXP-1Y-00A(H) | | |
| | CHKD: | TITLE: CUSTOMER DRAWING | | |
| | DRFT: | REV | DO | |
| | THIRD ANGLE PROJECTION | DRAWING NO.: | SHEET | 1/1 |
| | MM (INCH) | DO NOT SCALE DRAWING | SCALE | 1:1 |