

REVISION RECORD				
REV	ECN	DESCRIPTION	DRFT	DATE

NOTES1:

UL Standard

1. Rated voltage/current : 300V / 8A
2. Withstanding voltage : AC1600V/1Min.

IEC Standard

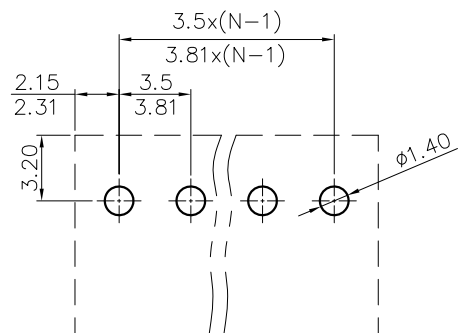
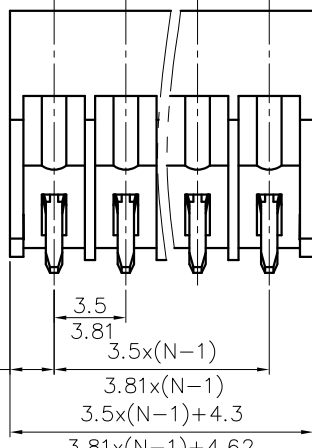
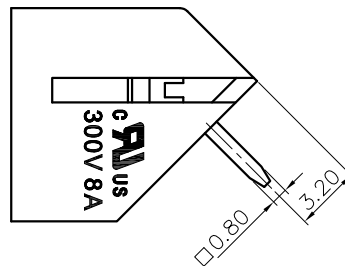
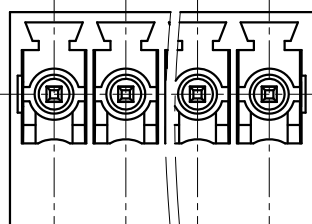
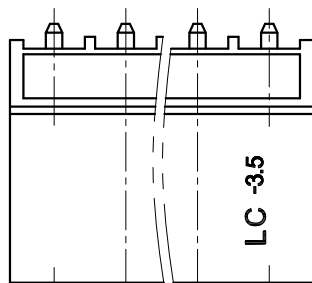
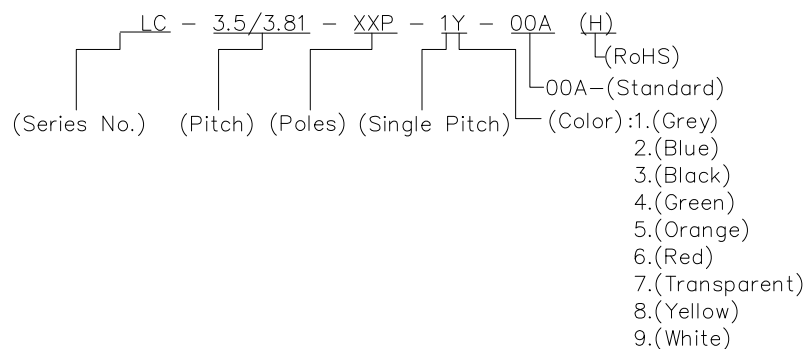
1. Pollution Degree	2
Overvoltage Category	II
Rate Impulse Voltage(KV)	2.5KV
Rate Voltage(V)	250V
Rate Current(A)	12A

NOTES2:

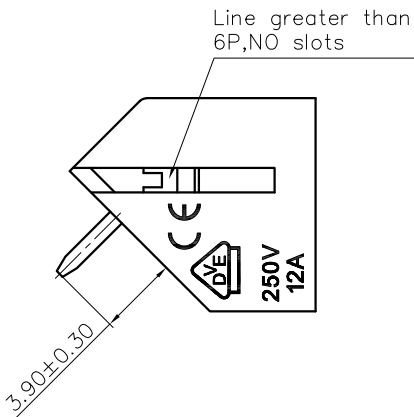
1. Dimension shall be interpreted per ASME Y14.5-2009
2. Pitch : 3.5/3.81mm, Poles : N=02~24P
3. Operating temperature: -40°C~+105°C
4. Undimensioned tolerances:

Pitch range in mm		Nominal dimension range in mm						-	∩	∟
To	Over	Over	Over	Over	Over	Over	0.1/10			
6	10	24	30	60	100	150				
±0.15	±0.20	±0.30	±0.30	±0.50	±0.70	±1.00	±1.30	±2'		

5. RoHS Compliance



PCB LAYOUT



DETACHED LISTS	PART NO.:	AOLC-3.5 / 3.81		
	APPD:	NAME: LC-3.5/3.81-XXP-1Y-00A(H)		
	CHKD:	TITLE: CUSTOMER DRAWING		
	DRFT:	REV	DO	
	THIRD ANGLE PROJECTION	SHEET	1/1	
	DRAWING NO.:	MM (INCH)	DO NOT SCALE DRAWING	SCALE
				1:1