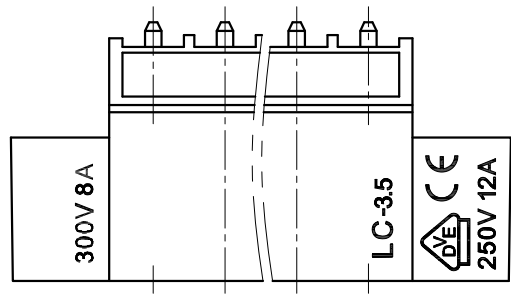


REVISION RECORD				
REV	ECN	DESCRIPTION	DRFT	DATE



NOTES1:  
UL Standard  
1. Rated voltage/current : 300V / 8A  
2. Withstanding voltage : AC1600V/1Min.

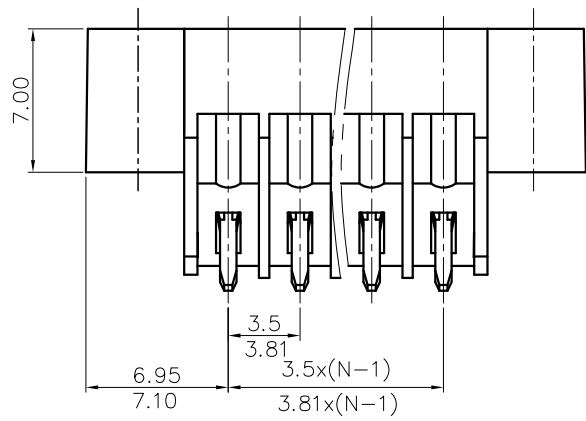
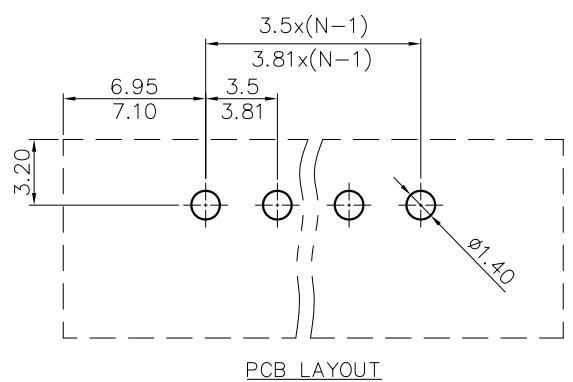
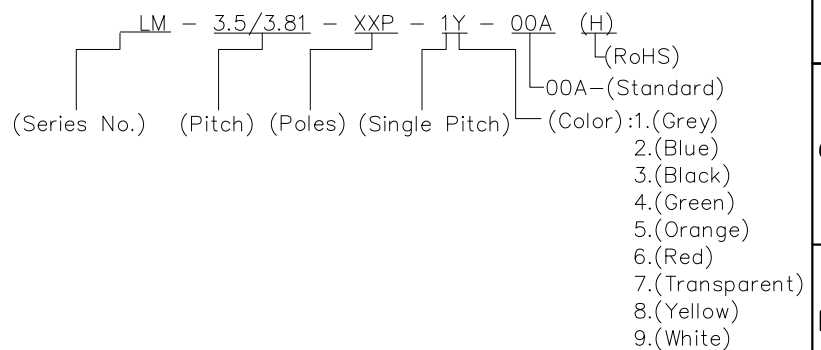
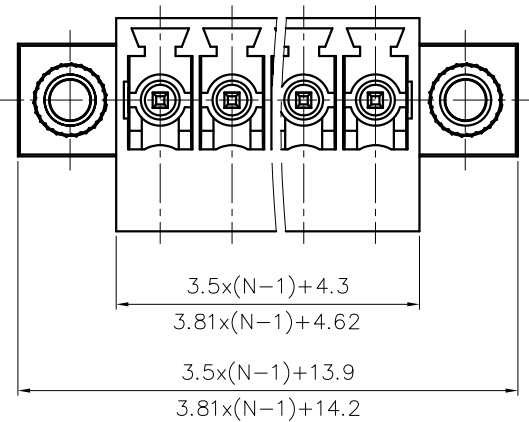
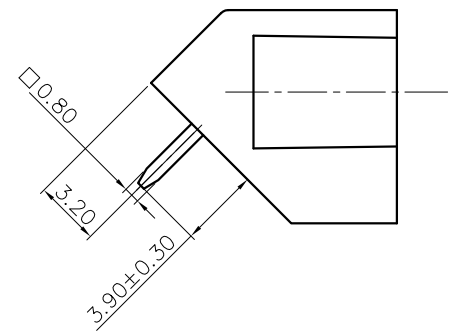
IEC Standard

1. Pollution Degree	2
Overvoltage Category	II
Rate Impulse Voltage(KV)	2.5KV
Rate Voltage(V)	250V
Rate Current(A)	12A

NOTES2:  
1. Dimension shall be interpreted per ASME Y14.5-2009  
2. Pitch : 3.5/3.81mm, Poles : N=02~24P  
3. Operating temperature: -40°C~+105°C  
4. Undimensioned tolerances:

Pitch range in mm		Nominal dimension range in mm						-	∩	∟
To	Over	Over	Over	Over	Over	Over	0.1/10			
6	10	10	30	60	100	150	<			
±0.15	±0.20	±0.30	±0.30	±0.50	±0.70	±1.00	±1.30	±2'		

5. RoHS Compliance



DETACHED LISTS	PART NO.:	AOLM-3.5 / 3.81		
	APPD:	NAME: LM-3.5/3.81-XXP-1Y-00A(H)		
	CHKD:	TITLE: CUSTOMER DRAWING		
	DRFT:	REV	DO	
	DRAWING NO.:		SHEET	1/1
THIRD ANGLE PROJECTION		SCALE	1:1	

DO NOT SCALE DRAWING