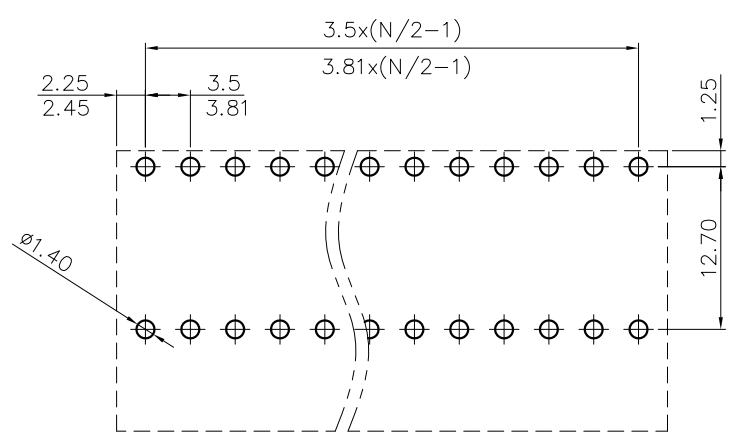
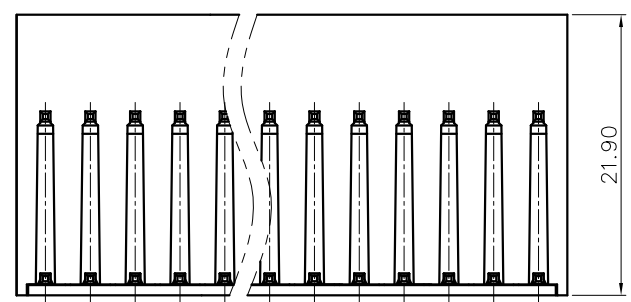
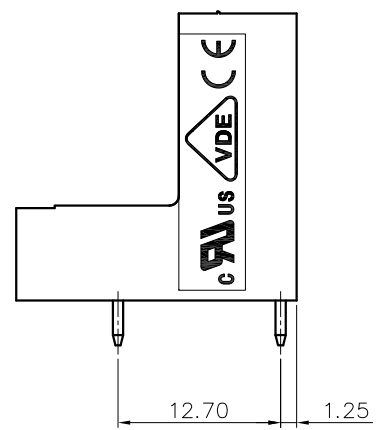
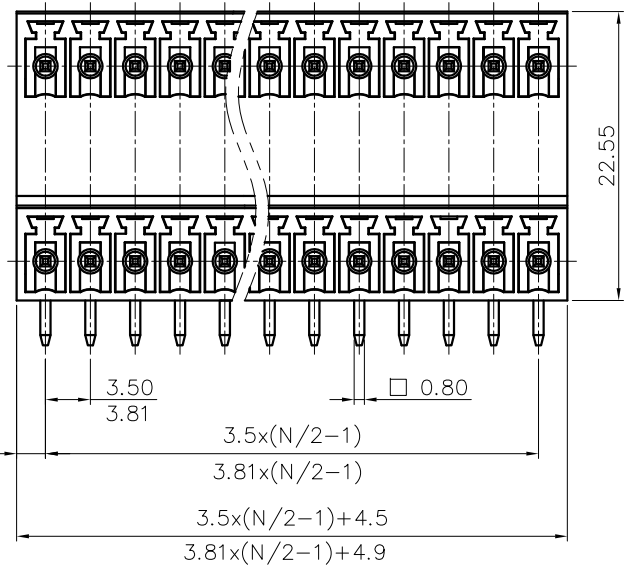
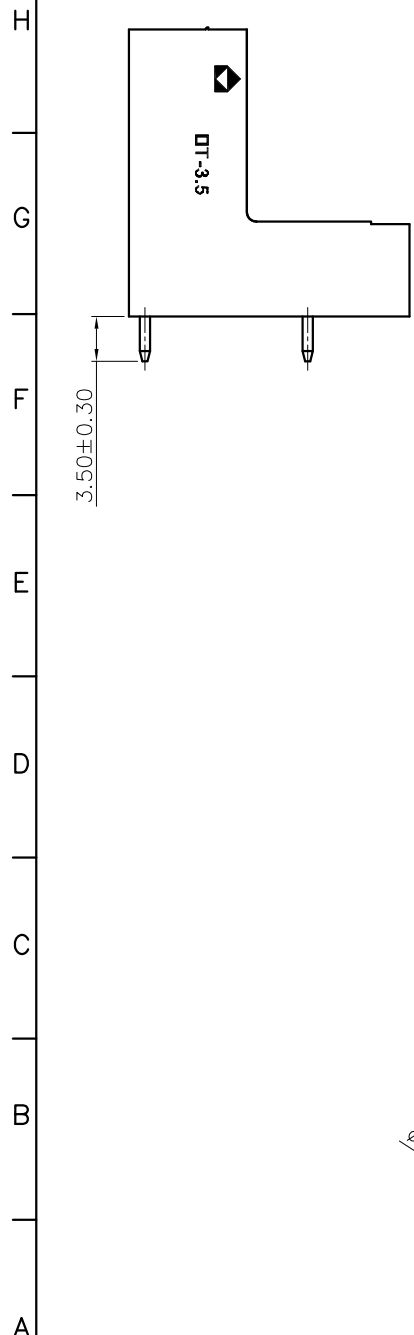


REVISION RECORD				
REV	ECN	DESCRIPTION	DRFT	DATE



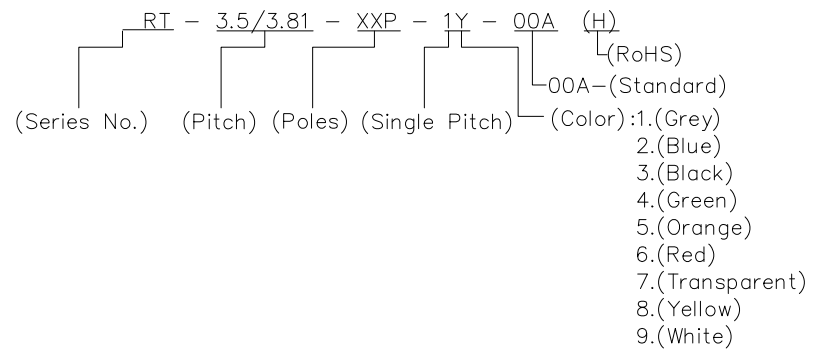
NOTES1:
 UL Standard
 1. Rated voltage/current : 300V / 8A
 2. Withstanding voltage : AC1600V/1Min.
 IEC Standard

1. Pollution Degree	2
Overtoltage Category	II
Rate Impulse Voltage(KV)	2.5KV
Rate Voltage(V)	250V
Rate Current(A)	7A

NOTES2:
 1. Dimension shall be interpreted per ASME Y14.5-2009
 2. Pitch : 3.5/3.81mm, Poles : N=04~48P
 3. Operating temperature: -40°C~+105°C
 4. Undimensioned tolerances:

Pitch range in mm	Nominal dimension range in mm							- / □
	Over 6 TO 10	Over 10 TO 24	Over 30 TO 60	Over 60 TO 100	Over 100 TO 150	Over 150	0.1/10	
±0.15	±0.20	±0.30	±0.30	±0.50	±0.70	±1.00	±1.30	±2'

5. RoHS Compliance



DETACHED LISTS	PART NO.:	/		
	APPD:	/	NAME: RT-3.5/3.81-XXP-1Y-00A(H)	
	CHKD:	/	TITLE: CUSTOMER DRAWING	
	DRFT:	/	REV	DO
	DRAWING NO.:		SHEET	1/1
THIRD ANGLE PROJECTION		MM (INCH)	DO NOT SCALE DRAWING	SCALE 1:1