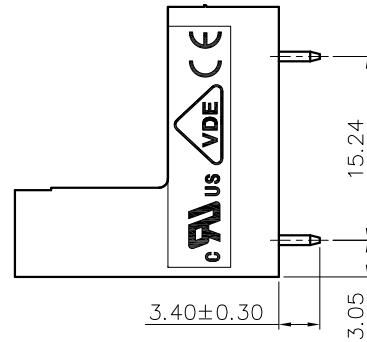
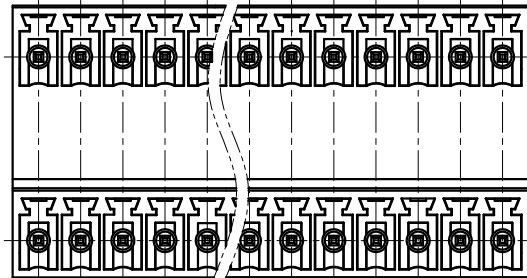
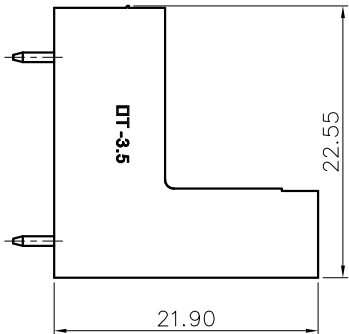


| REVISION RECORD | | | | |
|-----------------|-----|-------------|------|------|
| REV | ECN | DESCRIPTION | DRFT | DATE |



NOTES1:

UL Standard

1. Rated voltage/current : 300V / 8A
2. Withstanding voltage : AC1600V/1Min.

IEC Standard

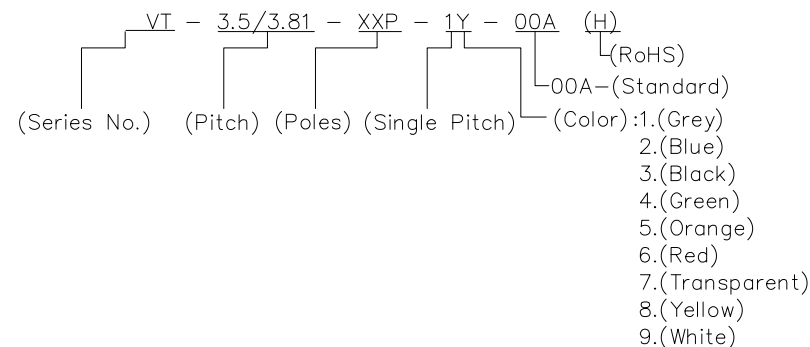
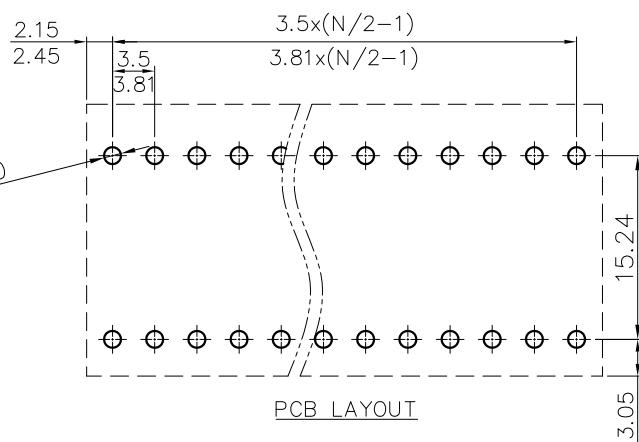
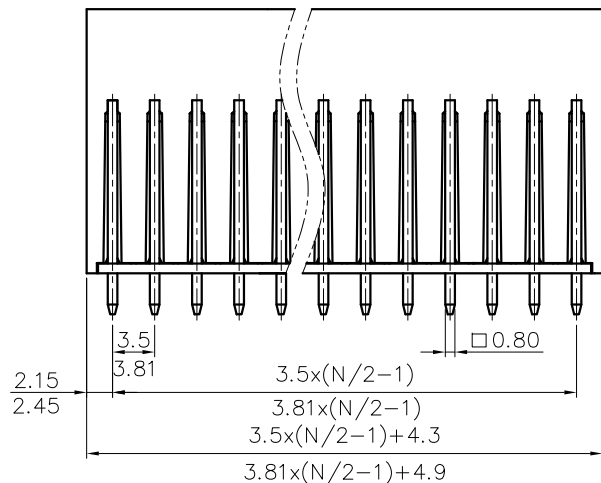
| | |
|--------------------------|-------|
| 1. Pollution Degree | 2 |
| Overtoltage Category | II |
| Rate Impulse Voltage(KV) | 2.5KV |
| Rate Voltage(V) | 250V |
| Rate Current(A) | 7A |

NOTES2:

1. Dimension shall be interpreted per ASME Y14.5-2009
2. Pitch : 3.5/3.81mm, Poles : N=04~48P
3. Operating temperature: -40°C~+105°C
4. Undimensioned tolerances:

| Pitch range in mm | | | Nominal dimension range in mm | | | | | |
|-------------------|---------|---------|-------------------------------|---------|---------|---------|--------|-----|
| TO | Over TO | Over TO | TO | Over TO | Over TO | Over TO | 0.1/10 | |
| 6 | 10 | 24 | 30 | 60 | 100 | 150 | < | |
| ±0.15 | ±0.20 | ±0.30 | ±0.30 | ±0.50 | ±0.70 | ±1.00 | ±1.30 | ±2' |

5. RoHS Compliance



| | | | | | |
|----------------|------------------------|---|--------------|---------------------------|-------|
| DETACHED LISTS | PART NO.: | / | | | |
| | APPD: | / | NAME: | VT-3.5/3.81-XXP-1Y-00A(H) | |
| | CHKD: | / | TITLE: | CUSTOMER DRAWING | REV |
| | DRFT: | / | DO | 1/1 | SHEET |
| | THIRD ANGLE PROJECTION | | DRAWING NO.: | / | SCALE |

DO NOT SCALE DRAWING