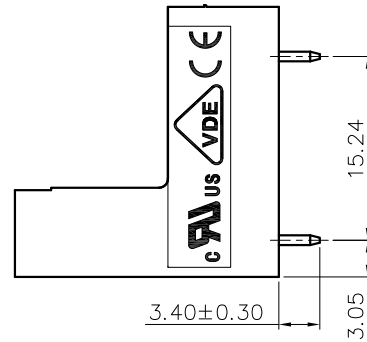
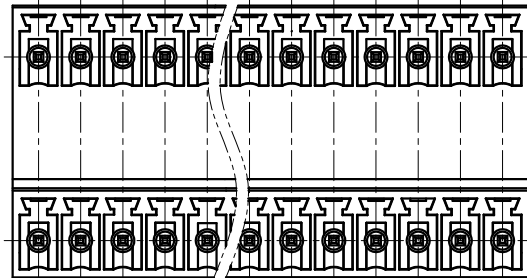
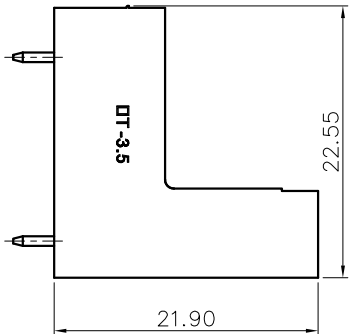


REVISION RECORD				
REV	ECN	DESCRIPTION	DRFT	DATE



NOTES1:

UL Standard

- 1.Rated voltage/current : 300V / 8A
- 2.Withstanding voltage : AC1600V/1Min.

IEC Standard

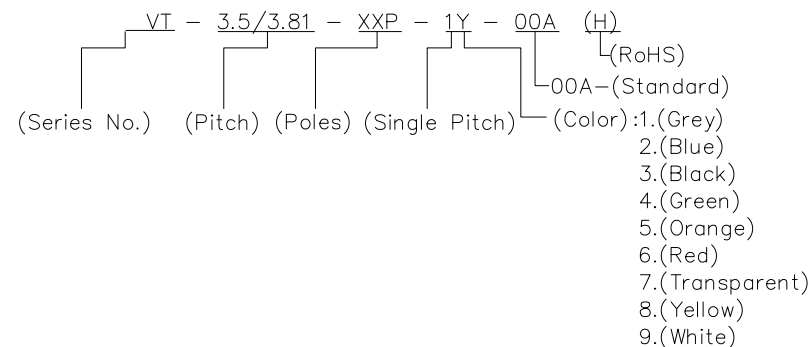
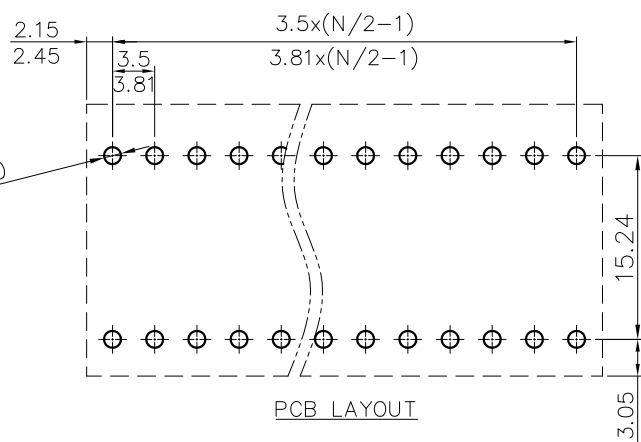
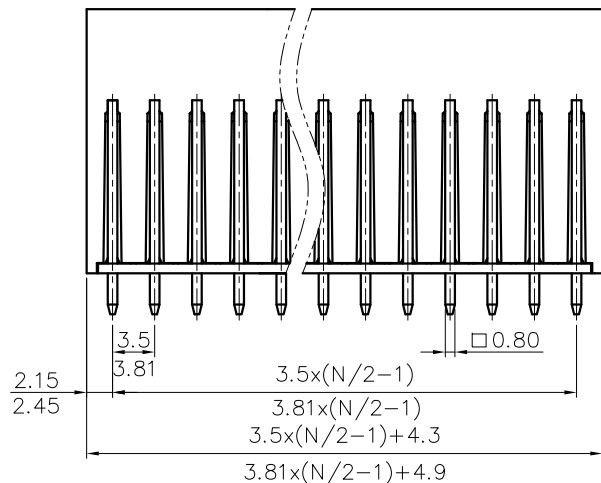
1. Pollution Degree	2
Overtoltage Category	II
Rate Impulse Voltage(KV)	2.5KV
Rate Voltage(V)	250V
Rate Current(A)	7A

NOTES2:

- 1.Dimension shall be interpreted per ASME Y14.5-2009
- 2.Pitch : 3.5/3.81mm, Poles : N=04~48P
- 3.Operating temperature: -40°C~+105°C
- 4.Undimensioned tolerances:

Pitch range in mm			Nominal dimension range in mm				
TO	Over TO	Over TO	TO	Over TO	Over TO	Over TO	0.1/10
6	6 TO 10	10 TO 24	30	30 TO 60	60 TO 100	100 TO 150	<
	±0.15	±0.20	±0.30	±0.50	±0.70	±1.00	±1.30
							±2'

5.RoHS Compliance



DETACHED LISTS	PART NO.:	AOVT-3.5 / 3.81		
	APPD:	NAME: VT-3.5/3.81-XXP-1Y-00A(H)		
	CHKD:	TITLE: CUSTOMER DRAWING		REV
	DRFT:	DRAWING NO.:		DO
 THIRD ANGLE PROJECTION		MM (INCH)	DO NOT SCALE DRAWING	SHEET 1/1
		SCALE	1:1	