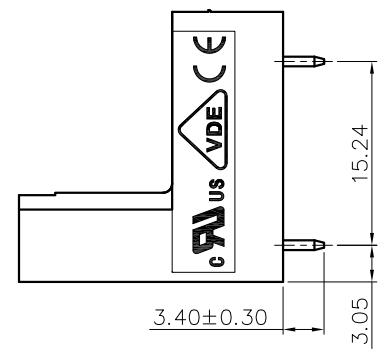
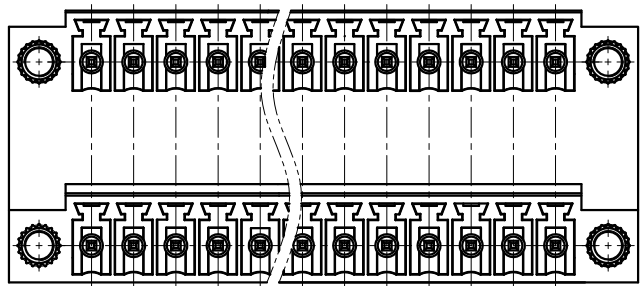
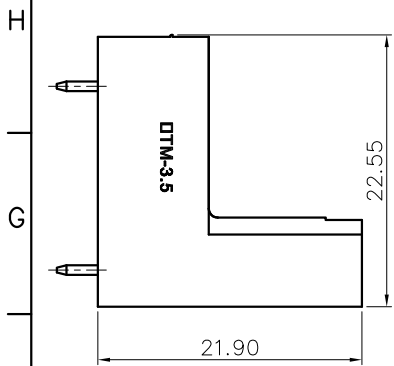


REVISION RECORD				
REV	ECN	DESCRIPTION	DRFT	DATE



NOTES1:  
 UL Standard  
 1. Rated voltage/current : 300V / 8A  
 2. Withstanding voltage : AC1600V/1Min.

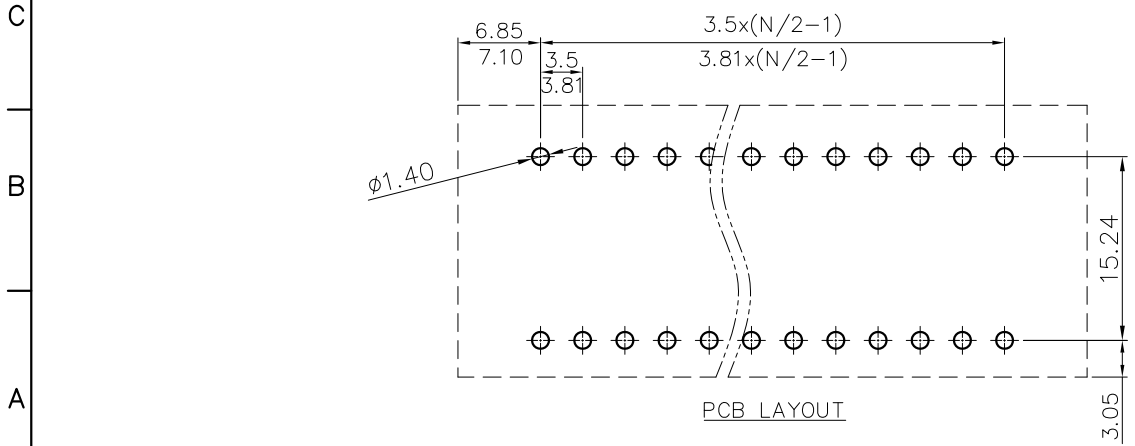
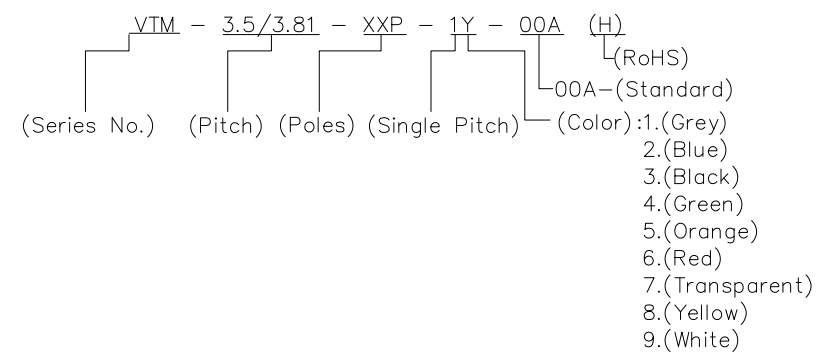
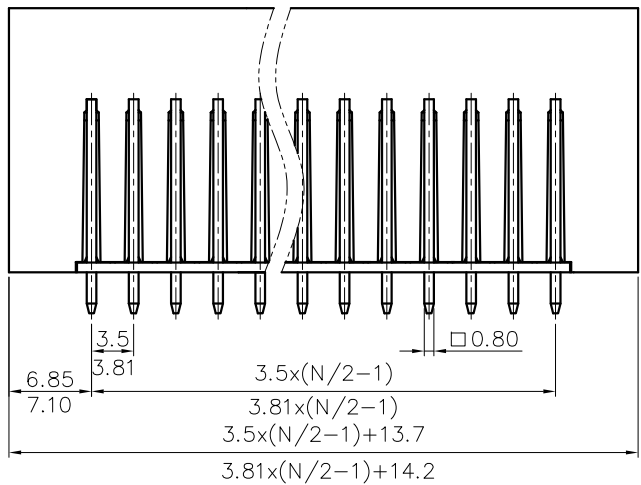
IEC Standard

1. Pollution Degree	2
Overtoltage Category	II
Rate Impulse Voltage(KV)	2.5KV
Rate Voltage(V)	250V
Rate Current(A)	7A

NOTES2:  
 1. Dimension shall be interpreted per ASME Y14.5-2009  
 2. Pitch : 3.5/3.81mm, Poles : N=04~48P  
 3. Operating temperature: -40°C~+105°C  
 4. Undimensioned tolerances:

Pitch range in mm		Nominal dimension range in mm				Tolerance	
TO	Over TO	Over TO	Over TO	Over TO	Over TO	0.1/10	
6	6 TO 10	10 TO 24	30 TO 60	60 TO 100	100 TO 150	150	<
	±0.15	±0.20	±0.30	±0.30	±0.50	±0.70	±1.00
							±1.30
							±2'

5. RoHS Compliance



DETACHED LISTS	PART NO.:	/			
	APPD:	/	NAME:	VTM-3.5/3.81-XXP-1Y-00A(H)	
	CHKD:	/	TITLE:	CUSTOMER DRAWING	REV
	DRFT:	/	DRAWING NO.:	/	SHEET
	THIRD ANGLE PROJECTION		DO NOT SCALE DRAWING	SCALE	1:1