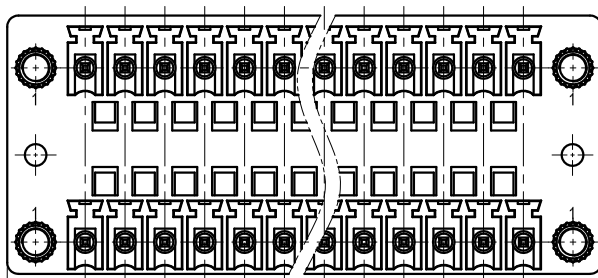


REVISION RECORD				
REV	ECN	DESCRIPTION	DRFT	DATE



$3.5 \times (N/2 - 1) + 13.7$
 $3.81 \times (N/2 - 1) + 14.2$

NOTES1:

UL Standard

1. Rated voltage/current : 300V / 8A
2. Withstanding voltage : AC1600V/1Min.

IEC Standard

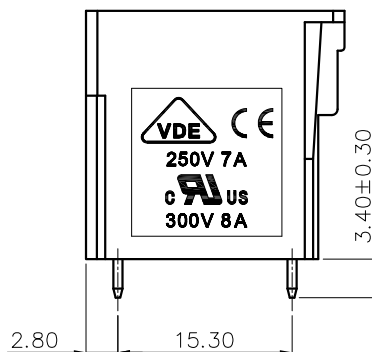
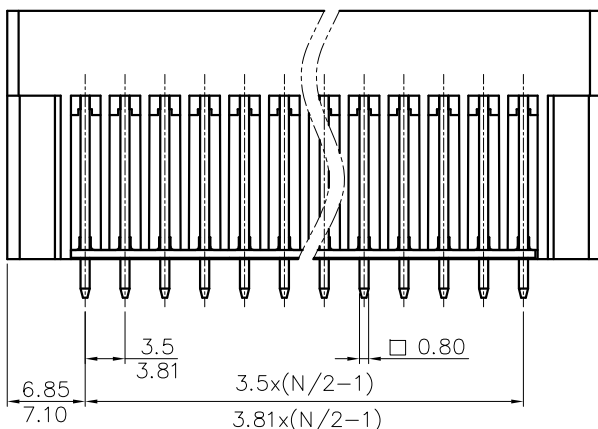
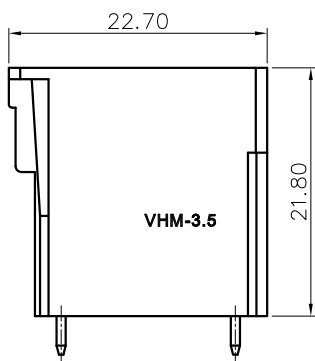
1. Pollution Degree	2
Overvoltage Category	II
Rate Impulse Voltage(KV)	2.5KV
Rate Voltage(V)	250V
Rate Current(A)	7A

NOTES2:

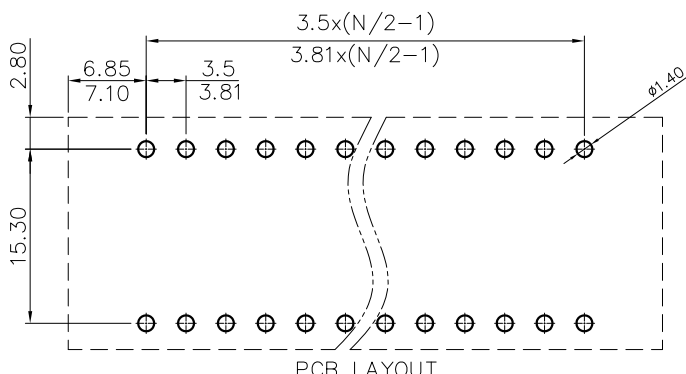
1. Dimension shall be interpreted per ASME Y14.5-2009
2. Pitch : 3.5/3.81mm, Poles : N=04~48P
3. Operating temperature: -40°C~+105°C
4. Undimensioned tolerances:

Pitch range in mm	Nominal dimension range in mm						- □ ▽	
	Over 6 TO 10	Over 10 TO 24	Over 30 TO 30	Over 60 TO 60	Over 100 TO 150	Over 150 TO 150		
±0.15	±0.20	±0.30	±0.30	±0.50	±0.70	±1.00	±1.30	±2'

5. RoHS Compliance



VHM - 3.5/3.81 - XXP - 1Y - 00A (H)
 (Series No.) (Pitch) (Poles) (Single Pitch) (RoHS)
 00A-(Standard)
 (Color): 1.(Grey) 2.(Blue) 3.(Black) 4.(Green) 5.(Orange) 6.(Red) 7.(Transparent) 8.(Yellow) 9.(White)



PCB LAYOUT

DETACHED LISTS	PART NO.:			
	APPD:			
	CHKD:			
	DRFT:			
	THIRD ANGLE PROJECTION			
NAME:		VHM-3.5/3.81-XXP-1Y-00A(H)		
TITLE:		CUSTOMER DRAWING	REV	DO
DRAWING NO.:		/	SHEET	1/1
MM (INCH)		DO NOT SCALE DRAWING	SCALE	1:1