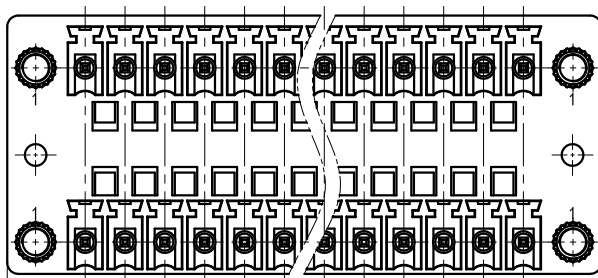
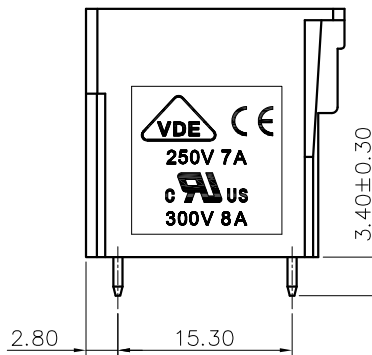
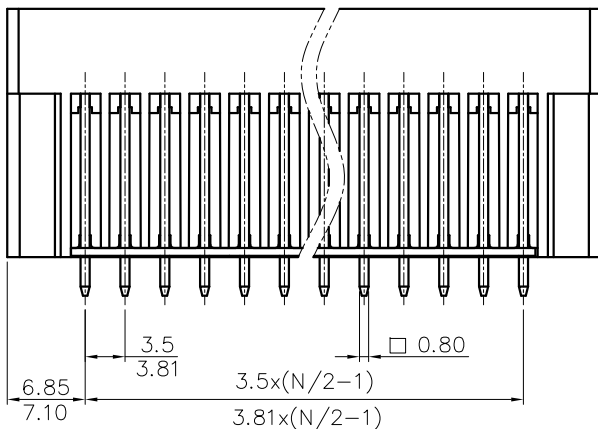
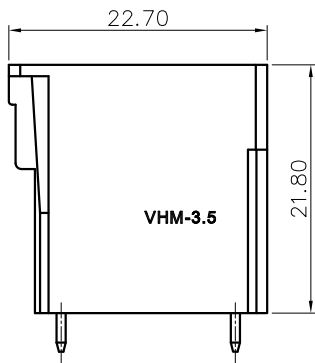


REVISION RECORD				
REV	ECN	DESCRIPTION	DRFT	DATE



$3.5 \times (N/2 - 1) + 13.7$   
 $3.81 \times (N/2 - 1) + 14.2$



NOTES1:

- UL Standard
- 1. Rated voltage/current : 300V / 8A
- 2. Withstanding voltage : AC1600V/1Min.

IEC Standard

1. Pollution Degree	2
Overvoltage Category	II
Rate Impulse Voltage(KV)	2.5KV
Rate Voltage(V)	250V
Rate Current(A)	7A

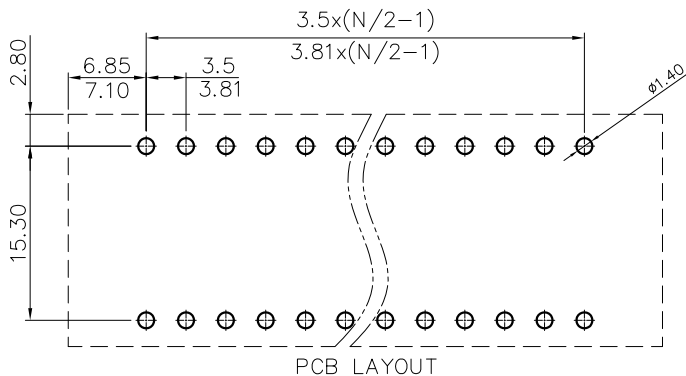
NOTES2:

- 1. Dimension shall be interpreted per ASME Y14.5-2009
- 2. Pitch : 3.5/3.81mm, Poles : N=04~48P
- 3. Operating temperature: -40°C~+105°C
- 4. Undimensioned tolerances:

Pitch range in mm		Nominal dimension range in mm					- □ ▽	
TO	Over	Over	Over	Over	Over	0.1/10		
6	10	10	24	30	60	100	150	
±0.15	±0.20	±0.30	±0.30	±0.50	±0.70	±1.00	±1.30	±2'

5. RoHS Compliance

VHM - 3.5/3.81 - XXP - 1Y - 00A (H)  
 (Series No.) (Pitch) (Poles) (Single Pitch) (RoHS)  
 00A-(Standard)  
 (Color): 1.(Grey) 2.(Blue) 3.(Black) 4.(Green) 5.(Orange)  
 6.(Red) 7.(Transparent) 8.(Yellow) 9.(White)



PCB LAYOUT

DETACHED LISTS	PART NO.:	AOVHM-3.5 / 3.81		
	APPD:	NAME: VHM-3.5/3.81-XXP-1Y-00A(H)		
	CHKD:			
	DRFT:	TITLE: CUSTOMER DRAWING	REV	DO
	DRAWING NO.:		SHEET	1/1
THIRD ANGLE PROJECTION		MM (INCH)	DO NOT SCALE DRAWING	SCALE 1:1