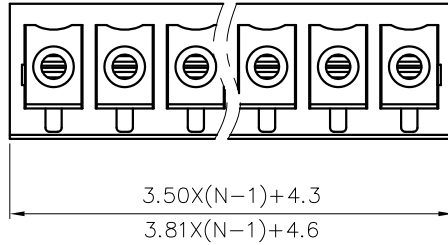


REVISION RECORD

REV	ECN	DESCRIPTION	DRFT	DATE
-----	-----	-------------	------	------



NOTES1:

UL Standard

1. Rated Voltage/Current : 300V / 8A
2. Withstanding Voltage : AC1600V/1Min.

IEC Standard

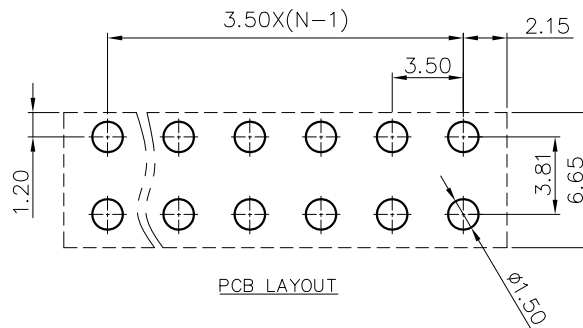
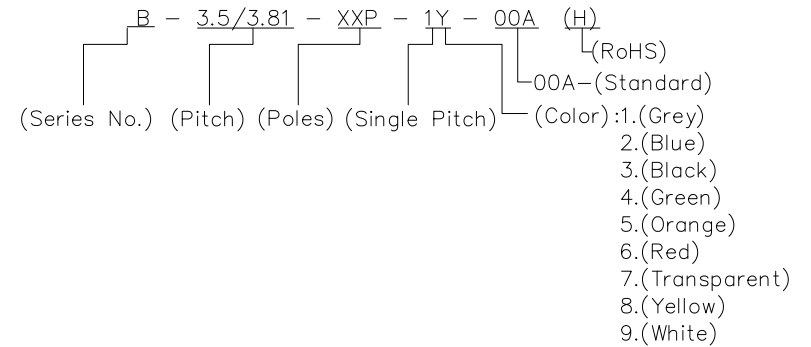
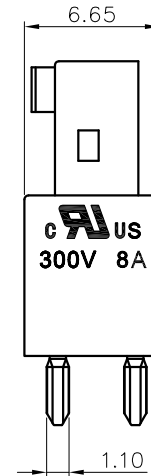
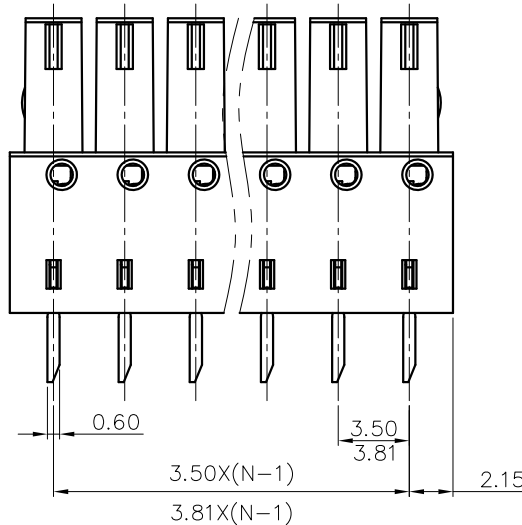
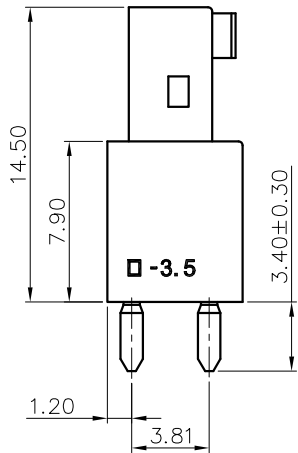
1. Pollution Degree	2
Overvoltage Category	III
Rate Impulse Voltage(KV)	2.5KV
Rate Voltage(V)	250V
Rate Current(A)	7A

NOTES2:

1. Dimension shall be interpreted per ASME Y14.5-2009
2. Pitch : 3.50/3.81mm, Poles : N=02-24P
3. Operating temperature: -40°C~+105°C
4. Undimensioned Tolerances:

Pitch range in mm		Nominal dimension range in mm				-	∩	∇
To	Over	Over	To	Over	Over	0.1/10		
6	10	24	30	60	100	150		
±0.15	±0.20	±0.30	±0.30	±0.50	±0.70	±1.00	±1.30	±2'

5. RoHS Compliance



DETACHED LISTS	PART NO.:			
	APPD: /	NAME:	B-3.5/3.81-XXP-1Y-00A(H)	
	CHKD: /	TITLE:	CUSTOMER DRAWING	REV
	DRFT: /	DRAWING NO.:	/	SHEET
	 THIRD ANGLE PROJECTION	DO NOT SCALE DRAWING SCALE: 1:1	DO	1/1