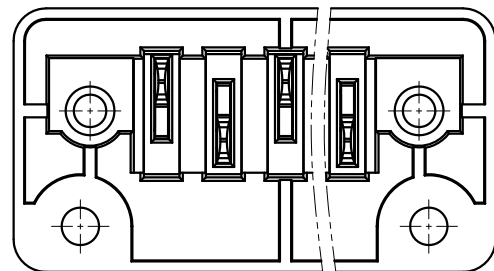
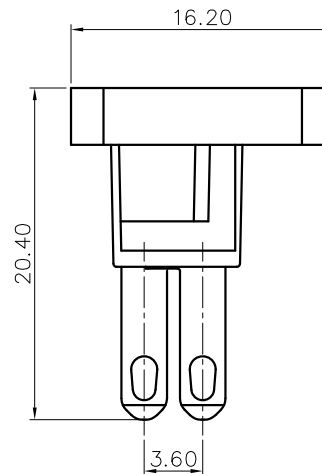
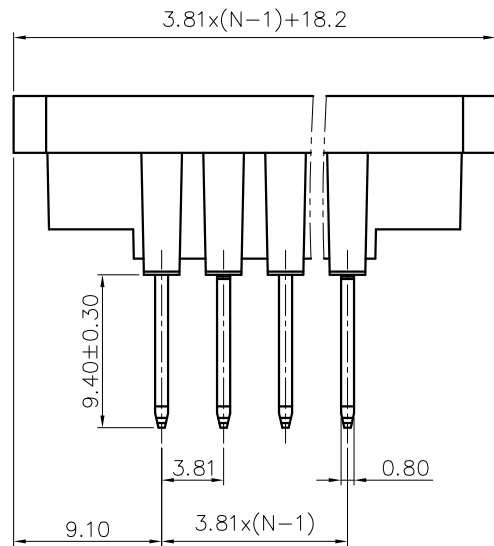
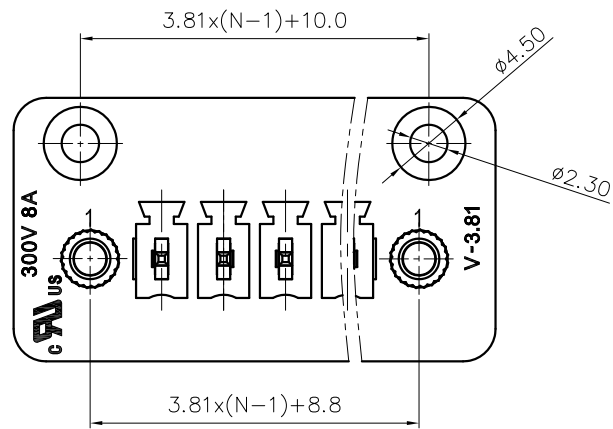


REVISION RECORD

REV	ECN	DESCRIPTION	DRFT	DATE
-----	-----	-------------	------	------



NOTES1:

UL Standard

- 1.Rated voltage/current : 300V / 8A
- 2.Withstanding voltage : AC1600V/1Min.

IEC Standard

1.

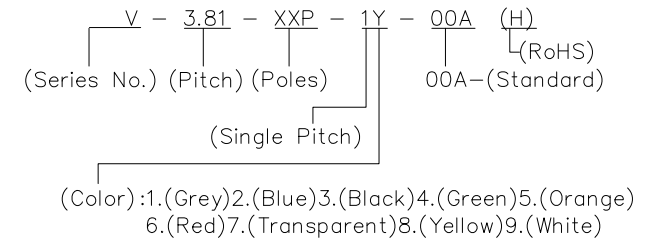
Pollution degree	2
Overtoltage category	II
Rate impulse voltage(KV)	2.5KV
Rate voltage(V)	250V
Rate current(A)	7A

NOTES2:

- 1.Dimension shall be interpreted per ASME Y14.5-2009
- 2.Pitch : 3.81mm, Poles : N=02~24P
- 3.Operating temperature: -40°C~+105°C
- 4.Undimensioned tolerances:

Pitch range in mm		Nominal dimension range in mm						-	∩	∇
Over 6	Over 10	Over 30	Over 60	Over 100	Over 150	0.1/10				
TO 6	TO 24	TO 30	TO 60	TO 100	TO 150	<				
±0.15	±0.20	±0.30	±0.30	±0.50	±0.70	±1.00	±1.30	±2'		

5.RoHS Compliance



DETACHED LISTS	PART NO.:	AOV-3.81		
	APPD:	NAME: V-3.81-XXP-1Y-00A(H)		
	CHKD:	TITLE: CUSTOMER DRAWING		
	DRFT:	REV	DO	
	THIRD ANGLE PROJECTION	DRAWING NO.:	SHEET	1/1
	MM (INCH)	DO NOT SCALE DRAWING	SCALE	1:1