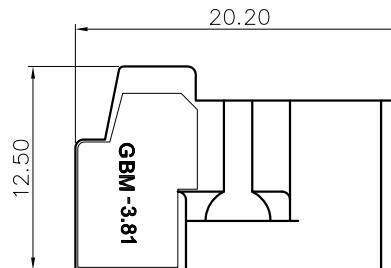
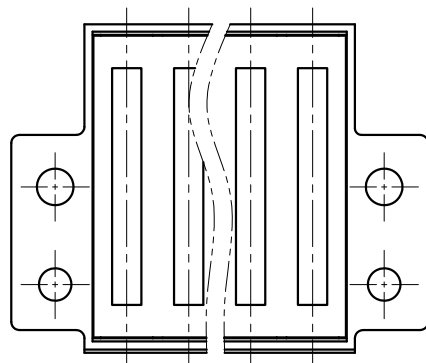
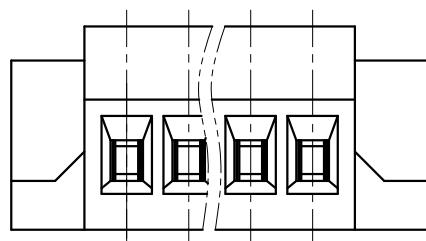
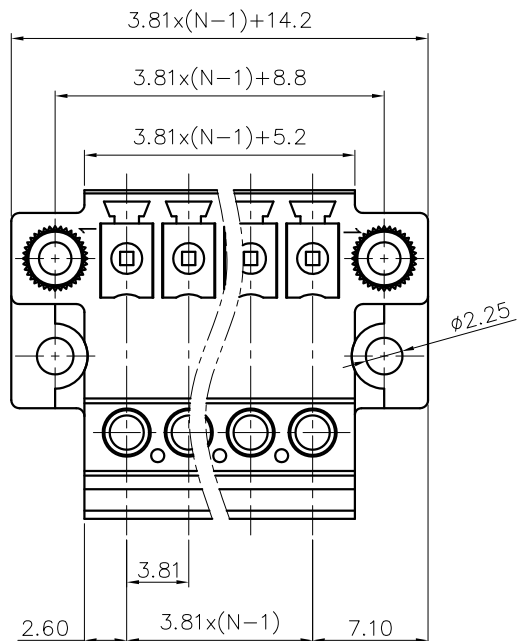


REVISION RECORD

REV	ECN	DESCRIPTION	DRFT	DATE
-----	-----	-------------	------	------



NOTES1:

UL Standard

1. Rated voltage/current : 300V / 8A
2. Withstanding voltage : AC1600V/1Min.
3. Torque value : M2 , 1.77Lb.in
4. Wire range : 30~14AWG

IEC Standard

1. Pollution degree	2
Overvoltage category	II
Rate impulse voltage(KV)	2.5KV
Rate voltage(V)	250V
Rate current(A)	7A

2. Torque value : M2 , 0.2N·m
3. Wire range : 0.2~1.5mm²

NOTES2:

1. Dimension shall be interpreted per ASME Y14.5-2009
2. Pitch : 3.81mm, Poles : N=02~16P
3. Stripping length : 6~7mm
4. Operating temperature: -40°C~+105°C
5. Undimensioned tolerances:

Pitch range in mm	Nominal dimension range in mm				Tolerance			
	Over 6 TO 10	Over 10 TO 24	Over 30 TO 60	Over 60 TO 150				
±0.15	±0.20	±0.30	±0.30	±0.50	±0.70	±1.00	±1.30	±2*

6. RoHS Compliance

GBM - 3.81 - XXP - 1Y - 00A (H)
 (Series No.) (Pitch) (Poles) (Single Pitch) (RoHS) 00A-(Standard)

(Color) : 1.(Grey) 2.(Blue) 3.(Black) 4.(Green) 5.(Orange) 6.(Red) 7.(Transparent) 8.(Yellow) 9.(White)

DETACHED LISTS	PART NO.:	AOGBM-3.81		
	APPD:	NAME: GBM-3.81-XXP-1Y-00A(H)		
	CHKD:			
	DRFT:	TITLE: CUSTOMER DRAWING	REV	DO
	DRAWING NO.:		SHEET	1/1
THIRD ANGLE PROJECTION		DO NOT SCALE DRAWING	SCALE: 1:1	