

REVISION RECORD				
REV	ECN	DESCRIPTION	DRFT	DATE

NOTES1:

- UL Standard
- 1.Rated Voltage/Current : 150V / 4A
 - 2.Withstanding Voltage : AC1300V/1Min.
 - 3.Wire Range : 26~20AWG

IEC Standard

1. Pollution Degree	2
Overvoltage Category	II
Rate Impulse Voltage(kV)	2.5KV
Rate Voltage(V)	250V
Rate Current(A)	5A

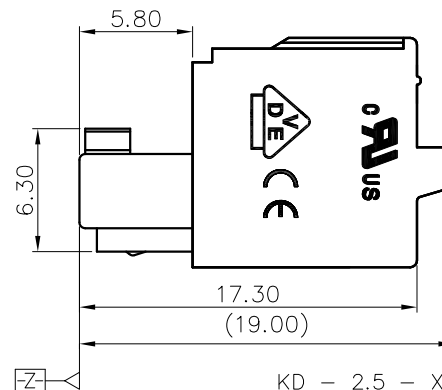
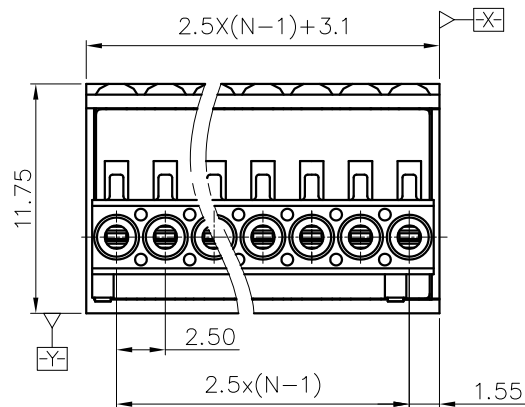
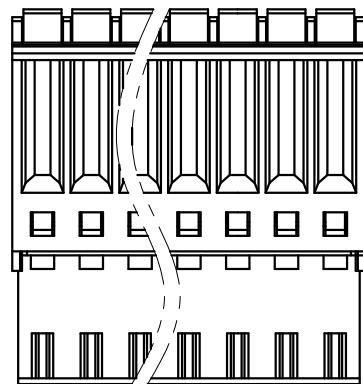
- 2.Wire Range : 0.2~0.5mm²

NOTES2:

- 1.Dimension shall be interpreted per ASME Y14.5-2009
- 2.Pitch : 2.50mm, Poles : N=2-12P
- 3.Stripping length : 8.0mm
- 4.Operating temperature: -40°C~+105°C
- 5.Undimensioned Tolerances:

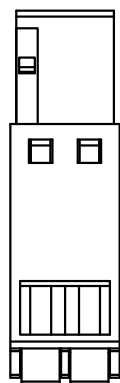
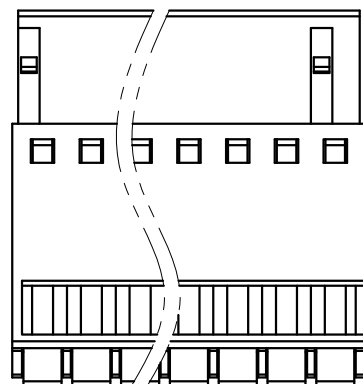
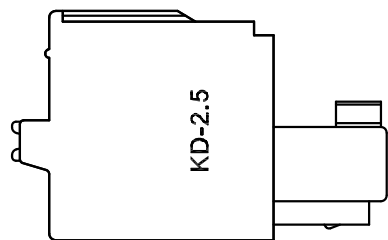
Pitch range in mm	Nominal dimension range in mm						0.1/10
	Over 6 TO 10	Over 10 TO 24	Over 30 TO 30	Over 30 TO 60	Over 60 TO 100	Over 100 TO 150	
±0.15	±0.20	±0.30	±0.30	±0.50	±0.70	±1.00	±2'

- 6.RoHS Compliance



KD - 2.5 - XXP - 1Y - 00A (H)

(Series No.) (Pitch) (Poles) (Single Pitch) (Color):1.(Grey)
 2.(Blue)
 3.(Black)
 4.(Green)
 5.(Orange)
 6.(Red)
 7.(Transparent)
 8.(Yellow)
 9.(White)



02P

DETACHED LISTS	PART NO.:			
	APPD:			
	CHKD:			
	DRFT:	NAME: KD-2.5-XXP-1Y-00A(H)		
	THIRD ANGLE PROJECTION	TITLE: CUSTOMER DRAWING	REV	DO
	DRAWING NO.:	SHEET	1/1	
	MM (INCH)	DO NOT SCALE DRAWING	SCALE 1:1	