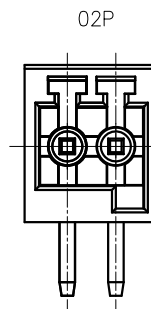
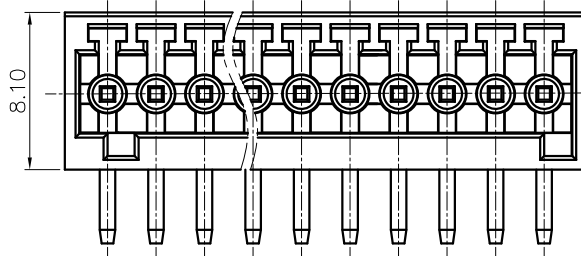
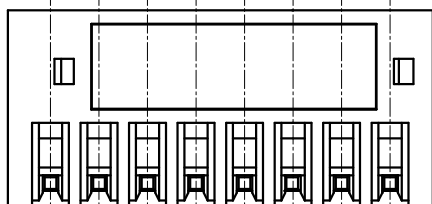


REVISION RECORD

REV	ECN	DESCRIPTION	DRFT	DATE
-----	-----	-------------	------	------

8P and 8P following no reinforcement.



NOTES1:

UL Standard

1. Rated voltage/current : 150V / 4A
2. Withstanding voltage : AC1300V/1Min.

IEC Standard

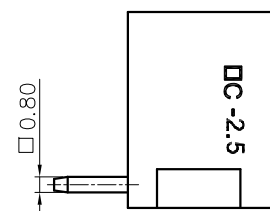
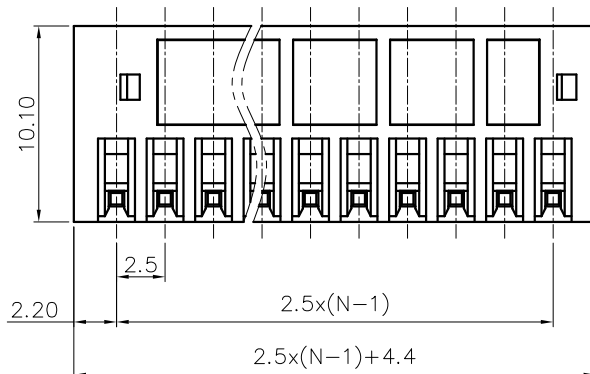
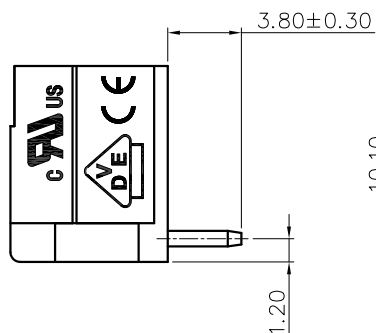
1. Pollution degree	2
Overvoltage category	II
Rate impulse voltage(KV)	2.5KV
Rate voltage(V)	250V
Rate current(A)	5A

NOTES2:

1. Dimension shall be interpreted per ASME Y14.5-2009
2. Pitch : 2.5mm, Poles : N=02~12P
3. Operating temperature: -40°C~+105°C
4. Undimensioned tolerances:

Pitch range in mm	Nominal dimension range in mm						-	∩	□
	Over 6 TO 6	Over 10 TO 10	Over 10 TO 24	Over 30 TO 30	Over 60 TO 60	Over 100 TO 100			
±0.15	±0.20	±0.30	±0.30	±0.50	±0.70	±1.00	±1.30	±2*	

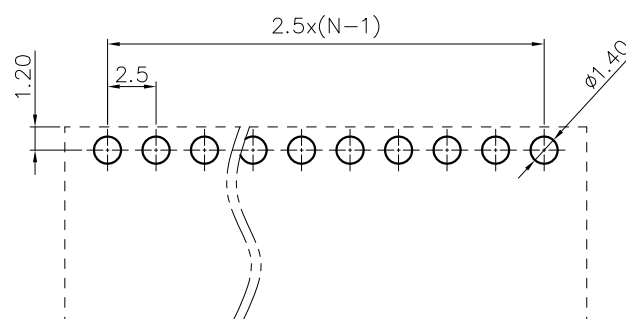
5. RoHS Compliance



RC - 2.5 - XXP - 1Y - 00A (H)

(Series No.) (Pitch) (Poles) (Color): 1.(Grey)
2.(Blue)
3.(Black)
4.(Green)
5.(Orange)
6.(Red)
7.(Transparent)
8.(Yellow)
9.(White)

(RoHS)
00A--(Standard)
(Single Pitch)



DETACHED LISTS	PART NO.:			
	APPD: /	NAME: RC-2.5-XXP-1Y-00A(H)		
	CHKD: /	TITLE: CUSTOMER DRAWING		
	DRFT: /	DRAWING NO.:	REV	DO
	THIRD ANGLE PROJECTION	DO NOT SCALE DRAWING	SHEET	1/1
		SCALE	1:1	